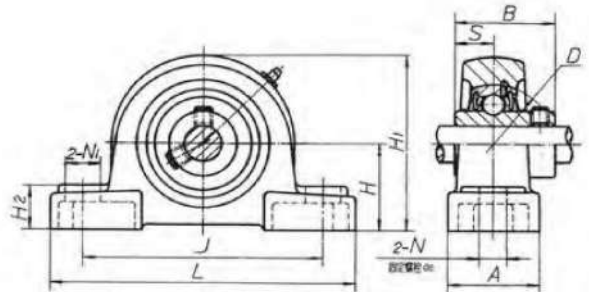
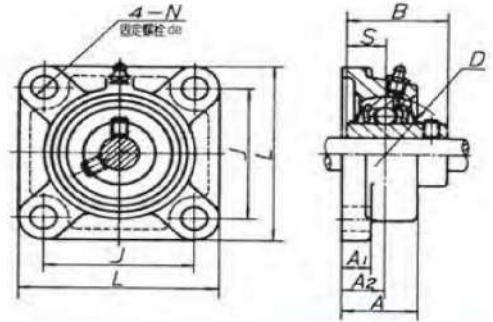


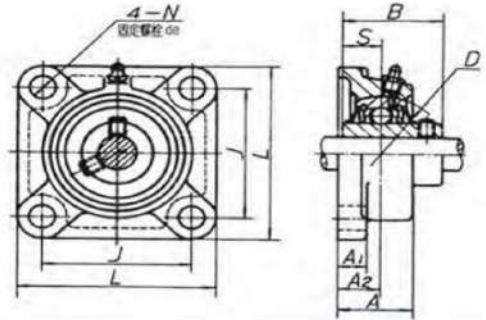
Bearing	D	B	S	L	J	H	H <sub>1</sub>	H <sub>2</sub>	A	N	N <sub>1</sub>	ds
UCP201	47	31	12.7	127	95	30.2	62	14	38	13	19	M10
UCP202	47	31	12.7	127	95	30.2	62	14	38	13	19	M10
UCP203	47	31	12.7	127	95	30.2	62	14	38	13	19	M10
UCP204	47	31	12.7	127	95	33.3	65	14	38	13	19	M10
UCP205	52	34.1	14.3	140	105	36.5	71	15	38	13	19	M10
UCP206	62	38.1	15.9	165	121	42.9	83	17	48	17	23	M14
UCP207	72	42.9	17.5	167	127	47.6	93	18	48	17	23	M14
UCP208	80	49.2	19	184	137	49.2	100	18	54	17	23	M14
UCP209	85	49.2	19	190	146	54	106	20	54	17	23	M14
UCP210	90	51.6	19	206	159	57.2	114	21	60	20	26	M16
UCP211	100	55.6	22.2	219	171	63.5	126	23	60	20	26	M16
UCP212	110	65.1	25.4	241	184	69.8	138	25	70	20	26	M16
UCP213	120	65.1	25.4	265	203	76.2	151	27	70	25	31	M20
UCP214	125	74.6	30.2	266	210	79.4	157	27	72	25	31	M20
UCP215	130	77.8	33.3	275	217	82.6	163	28	74	25	31	M20
UCP216	140	82.6	33.3	292	232	88.9	175	30	78	25	31	M20
UCP217	150	85.7	34.1	310	247	95.2	187	32	83	25	31	M20
UCP218	160	96	39.7	327	262	101.6	200	33	88	27	33	M22
UCP220	180	108	42	380	308	115	225	40	95	30	38	M24



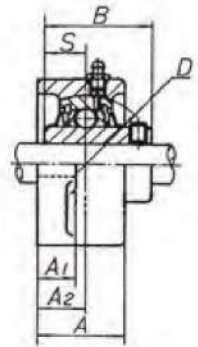
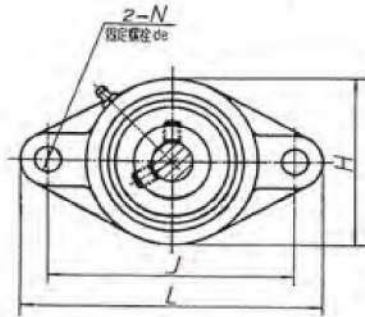
Bearing	D	B	S	L	J	H	H <sub>1</sub>	H <sub>2</sub>	A	N	N <sub>1</sub>	ds
UCP305	62	38	15	175	132	45	85	15	45	17	20	M14
UCP306	72	43	17	180	140	50	95	18	50	17	20	M14
UCP307	80	48	19	210	160	56	106	20	56	17	25	M14
UCP308	90	52	19	220	170	60	116	22	60	17	27	M14
UCP309	100	57	22	245	190	67	129	24	67	20	30	M16
UCP310	110	61	22	275	212	75	143	27	75	20	35	M16
UCP311	120	66	25	310	236	80	154	30	80	20	38	M16
UCP312	130	71	26	330	250	85	165	32	85	25	38	M20
UCP313	140	75	3	340	260	90	176	33	90	25	38	M20
UCP314	150	78	33	360	280	95	187	35	90	27	40	M22
UCP315	160	82	32	380	290	100	198	35	100	27	40	M22
UCP316	170	86	34	400	300	106	210	40	110	27	40	M22
UCP317	180	96	40	420	320	112	220	40	110	33	45	M27
UCP318	190	96	40	430	330	118	235	45	110	33	45	M27
UCP319	200	103	41	470	360	125	250	45	120	36	50	M30
UCP320	215	108	42	490	380	140	275	50	120	36	50	M30
UCP321	225	112	44	490	380	140	280	50	120	36	50	M30
UCP322	240	117	46	520	400	150	300	55	140	40	55	M33
UCP324	260	126	51	570	450	160	320	65	140	40	55	M33
UCP326	280	135	54	600	480	180	355	75	140	40	55	M33
UCP328	300	145	59	620	500	200	390	75	140	40	55	M33



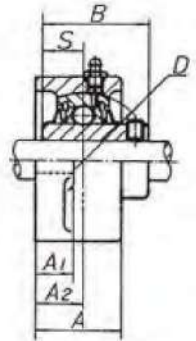
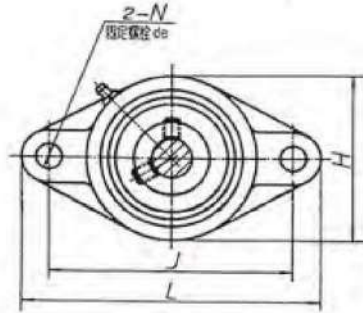
Bearing	D	B	S	L	J	A	A <sub>1</sub>	A <sub>2</sub>	N	ds		
UCF201	47	31	12.7	86	64	25.5	11	15	12	M10	UC201	F204
UCF202	47	31	12.7	86	64	25.5	11	15	12	M10	UC202	F204
UCF203	47	31	12.7	86	64	25.5	11	15	12	M10	UC203	F204
UCF204	47	31	12.7	86	64	25.5	11	15	12	M10	UC204	F204
UCF205	52	34.1	14.3	95	70	27	13	16	12	M10	UC205	F205
UCF206	62	38.1	15.9	108	83	31	13	18	12	M10	UC206	F206
UCF207	72	42.9	17.5	117	92	34	15	19	14	M12	UC207	F207
UCF208	80	49.2	19	130	102	36	15	21	16	M14	UC208	F208
UCF209	85	49.2	19	137	105	38	16	22	16	M14	UC209	F209
UCF210	90	51.6	19	143	111	40	16	22	16	M14	UC210	F210
UCF211	100	55.6	22.2	162	130	43	18	25	19	M16	UC211	F211
UCF212	110	65.1	25.4	175	143	48	18	29	19	M16	UC212	F212
UCF213	120	65.1	25.4	187	149	50	22	30	19	M16	UC213	F213
UCF214	125	74.6	30.2	193	152	54	22	31	19	M16	UC214	F214
UCF215	130	77.8	33.3	200	159	56	22	34	19	M16	UC215	F215
UCF216	140	82.6	33.3	208	165	58	22	34	23	M20	UC216	F216
UCF217	150	85.7	34.1	220	175	63	24	36	23	M20	UC217	F217
UCF218	160	96	39.7	235	187	68	24	40	23	M20	UC218	F218



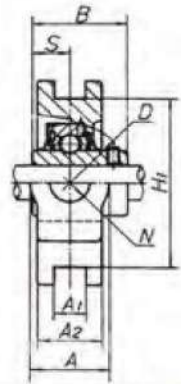
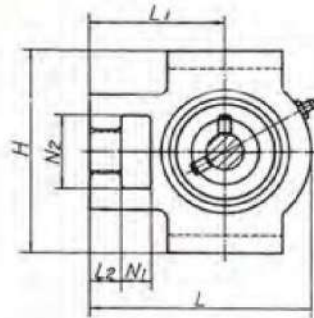
Bearing	D	B	S	L	J	A	A <sub>1</sub>	A <sub>2</sub>	N	ds		
UCF305	62	38	15	110	80	29	13	16	16	M14	UC305	F305
UCF306	72	43	17	125	95	32	15	18	16	M14	UC306	F306
UCF307	80	48	19	135	100	36	16	20	19	M16	UC307	F307
UCF308	90	52	19	150	112	40	17	23	19	M16	UC308	F308
UCF309	100	57	22	160	125	44	18	25	19	M16	UC309	F309
UCF310	110	61	22	175	132	48	19	28	23	M20	UC310	F310
UCF311	120	66	25	185	140	52	20	30	23	M20	UC311	F311
UCF312	130	71	26	195	150	56	22	33	23	M20	UC312	F312
UCF313	140	75	30	208	166	58	22	33	23	M20	UC313	F313
UCF314	150	78	33	226	178	61	25	36	25	M22	UC314	F314
UCF315	160	82	32	236	184	66	25	39	25	M22	UC315	F315
UCF316	170	86	34	250	196	68	27	38	31	M27	UC316	F316
UCF317	180	96	40	260	204	74	27	44	31	M27	UC317	F317
UCF318	190	96	40	280	216	76	30	44	35	M30	UC318	F318
UCF319	200	103	41	290	228	94	30	59	35	M30	UC319	F319
UCF320	215	108	42	310	242	94	32	59	38	M33	UC320	F320
UCF321	225	112	44	310	242	94	32	59	38	M33	UC321	F321
UCF322	240	117	46	340	266	96	35	60	41	M36	UC322	F322
UCF324	260	126	51	370	290	110	40	65	41	M36	UC324	F324
UCF326	280	135	54	410	320	115	45	65	41	M36	UC326	F326
UCF328	300	145	59	450	350	125	55	75	41	M36	UC328	F328



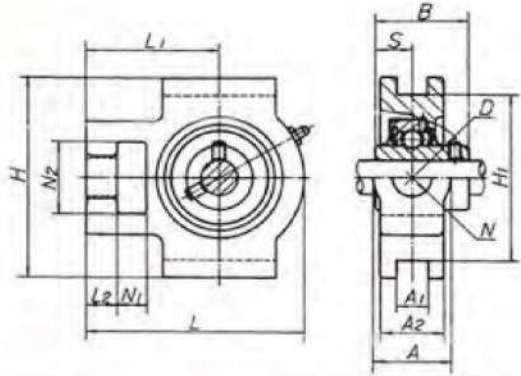
Bearing	D	B	S	L	J	H	A	A1	A2	N	ds	
UCFL201	47	31	12.7	113	90	60	25.5	11	15	12	M10	UC201
UCFL202	47	31	12.7	113	90	60	25.5	11	15	12	M10	UC202
UCFL203	47	31	12.7	113	90	60	25.5	11	15	12	M10	UC203
UCFL204	47	31	12.7	113	90	60	25.5	11	15	12	M10	UC204
UCFL205	52	34.1	14.3	130	99	68	27	13	16	16	M14	UC205
UCFL206	62	38.1	15.9	148	117	80	31	13	18	16	M14	UC206
UCFL207	72	42.9	17.5	161	130	90	34	15	19	16	M14	UC207
UCFL208	80	49.2	19	175	144	100	36	15	21	16	M14	UC208
UCFL209	85	49.2	19	188	148	108	38	16	22	19	M16	UC209
UCFL210	90	51.6	19	197	157	115	40	16	22	19	M16	UC210
UCFL211	100	55.6	22.2	224	184	130	43	18	25	19	M16	UC211
UCFL212	110	65.1	25.4	250	202	140	48	18	29	23	M20	UC212
UCFL213	120	65.1	25.4	258	210	155	50	22	30	23	M20	UC213
UCFL214	125	74.6	30.2	265	216	160	54	22	31	23	M20	UC214
UCFL215	130	77.8	33.3	275	225	165	56	22	34	23	M20	UC215
UCFL216	140	82.6	33.3	290	233	180	58	22	34	25	M22	UC216
UCFL217	150	85.7	34.1	305	248	190	63	24	36	25	M22	UC217
UCFL218	160	96.0	39.7	320	265	205	68	24	40	25	M22	UC218



Bearing	D	B	S	L	J	H	A	A1	A2	N	ds	
UCFL305	62	38	15	150	113	80	29	13	16	19	M16	UC305
UCFL306	72	43	17	180	134	90	32	15	18	23	M20	UC306
UCFL307	80	48	19	185	141	100	36	16	20	23	M20	UC307
UCFL308	90	52	19	200	158	112	40	17	23	23	M20	UC308
UCFL309	100	57	22	230	177	125	44	18	25	25	M22	UC309
UCFL310	110	61	22	240	187	140	48	19	28	25	M22	UC310
UCFL311	120	66	25	250	198	150	52	20	30	25	M22	UC311
UCFL312	130	71	26	270	212	160	56	22	33	31	M27	UC312
UCFL313	140	75	30	295	240	175	58	25	33	31	M27	UC313
UCFL314	150	78	33	315	250	185	61	28	36	35	M30	UC314
UCFL315	160	82	32	320	260	195	66	30	39	35	M30	UC315
UCFL316	170	86	34	355	285	210	68	32	38	38	M33	UC316
UCFL317	180	96	40	370	300	220	74	32	44	38	M33	UC317
UCFL318	190	96	40	385	315	235	76	36	44	38	M33	UC318
UCFL319	200	103	41	405	330	250	94	40	59	41	M36	UC319
UCFL320	215	108	42	440	360	270	94	40	59	44	M39	UC320
UCFL321	225	112	44	440	360	270	94	40	59	44	M39	UC321
UCFL322	240	117	46	470	390	300	96	42	60	44	M39	UC322
UCFL324	260	126	51	520	430	330	110	48	65	47	M42	UC324
UCFL326	280	135	54	550	460	360	115	50	65	47	M42	UC326
UCFL328	300	145	59	600	500	400	125	60	75	51	M45	UC328

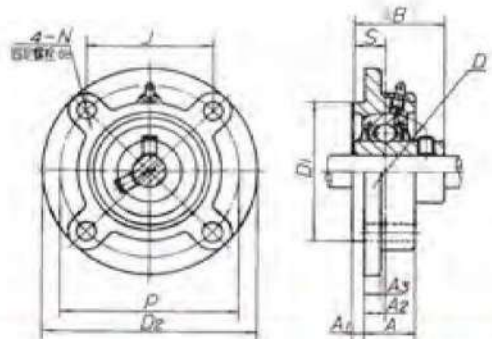


Bearing	D	B	S	L	L <sub>1</sub>	L <sub>2</sub>	H	H <sub>1</sub>	A	A <sub>1</sub>	A <sub>2</sub>	N
UCT201	47	31	12.7	94	61	10	89	76	32	12	21	19
UCT202	47	31	12.7	94	61	10	89	76	32	12	21	19
UCT203	47	31	12.7	94	61	10	89	76	32	12	21	19
UCT204	47	31	12.7	94	61	10	89	76	32	12	21	19
UCT205	52	34.1	14.3	97	62	10	89	76	32	12	24	19
UCT206	62	38.1	15.9	113	70	10	102	89	32	12	28	22
UCT207	72	42.9	17.5	129	78	13	102	89	37	12	30	22
UCT208	80	49.2	19	144	88	16	114	102	49	16	33	29
UCT209	85	49.2	19	144	87	16	117	102	49	16	35	29
UCT210	90	51.6	19	149	90	16	117	102	49	16	37	29
UCT211	100	55.6	22.2	171	106	19	146	130	64	22	38	35
UCT212	110	65.1	25.4	194	119	19	146	130	64	22	42	35
UCT213	120	65.1	25.4	224	137	21	167	151	70	26	44	41
UCT214	125	74.6	30.2	224	137	21	167	151	70	26	46	41
UCT215	130	77.8	33.3	232	140	21	167	151	70	26	48	41
UCT216	140	82.6	33.3	235	140	21	184	165	70	26	51	41
UCT217	150	85.7	34.1	260	162	29	198	173	73	30	54	48

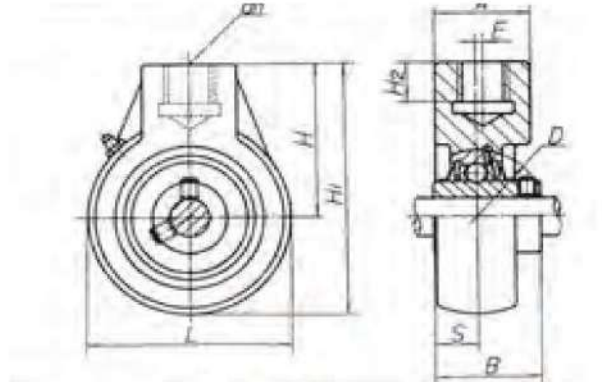


Bearing	D	B	S	L	L <sub>1</sub>	L <sub>2</sub>	H	H <sub>1</sub>	A	A <sub>1</sub>	A <sub>2</sub>	N
UCT305	62	38	15	122	76	12	89	80	36	12	26	26
UCT306	72	43	17	137	85	14	100	90	41	16	28	28
UCT307	80	48	19	150	94	15	110	100	45	16	32	30
UCT308	90	52	19	162	100	17	124	112	50	18	34	32
UCT309	100	57	22	178	110	18	138	125	55	18	38	34
UCT310	110	61	22	191	117	20	151	140	61	20	40	37
UCT311	120	66	25	207	127	21	163	150	66	22	44	39
UCT312	130	71	26	220	135	23	178	160	71	22	46	41
UCT313	140	75	30	238	146	25	190	170	80	26	50	43
UCT314	150	78	33	252	155	25	202	180	90	26	52	46
UCT315	160	82	32	262	160	25	216	192	90	26	55	46
UCT316	170	86	34	282	174	28	230	204	102	30	60	53
UCT317	180	96	40	298	183	30	240	214	102	32	64	53
UCT318	190	96	40	312	192	30	250	228	110	32	66	57
UCT319	200	103	41	322	197	31	270	240	110	35	72	57
UCT320	215	108	42	345	210	32	290	260	120	35	75	59
UCT321	225	112	44	345	210	32	290	260	120	35	75	59
UCT322	240	117	46	385	235	38	320	285	130	38	80	65
UCT324	260	126	51	432	267	42	355	320	140	45	90	70
UCT326	280	135	54	465	285	45	385	350	150	50	100	75
UCT328	300	145	59	515	315	50	415	380	155	50	100	80

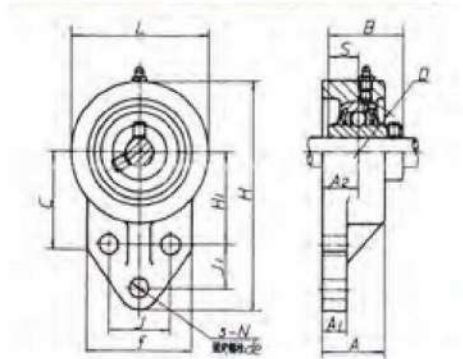




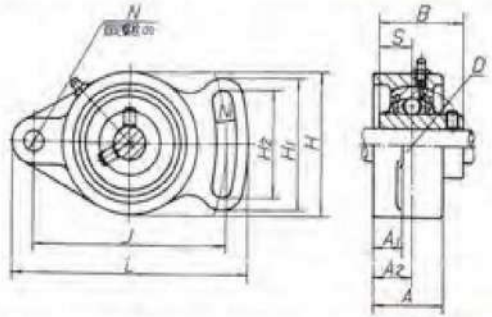
Bearing	D	B	S	D1	D2	J	P	A	A1	A2	N	ds
UCFC201	47	31	12.7	62	100	55.1	78	20.5	5	10	12	M10
UCFC202	47	31	12.7	62	100	55.1	78	20.5	5	10	12	M10
UCFC203	47	31	12.7	62	100	55.1	78	20.5	5	10	12	M10
UCFC204	47	31	12.7	62	100	55.1	78	20.5	5	10	12	M10
UCFC205	52	34.1	14.3	70	115	63.6	90	21	6	10	12	M10
UCFC206	62	38.1	15.9	80	125	70.7	100	23	8	10	12	M10
UCFC207	72	42.9	17.5	90	135	77.8	110	26	8	11	14	M12
UCFC208	80	49.2	19	100	145	84.8	120	26	10	11	14	M12
UCFC209	85	49.2	19	105	160	93.3	132	26	12	10	16	M14
UCFC210	90	51.6	19	110	165	97.6	138	28	12	10	16	M14
UCFC211	100	55.6	22.2	125	185	106.1	150	31	12	13	19	M16
UCFC212	110	65.1	25.4	135	195	113.1	160	36	12	17	19	M16
UCFC213	120	65.1	25.4	145	205	120.2	170	36	14	16	19	M16
UCFC214	125	74.6	30.2	150	215	125.1	177	40	14	17	19	M16
UCFC215	130	77.8	33.3	160	220	130.1	184	40	16	18	19	M16
UCFC216	140	82.6	33.3	170	240	141.4	200	42	16	18	23	M20
UCFC217	150	85.7	34.1	180	250	147.1	208	45	18	18	23	M20
UCFC218	160	96	39.7	190	265	155.5	220	50	18	22	23	M20



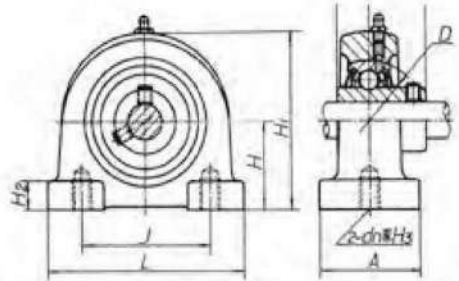
Bearing	D	B	S	L	H	H1	H2	A	E	KG		
UCHA205	52	34	14	70	64	99	19	40	0	1	UC205	HA205
UCHA206	62	38	15.9	80	64	104	19	40	0	1	UC206	HA206
UCHA207	72	43	17.5	92	70	116	19	40	0	1.4	UC207	HA207
UCHA208	80	49	19	96	73	121	19	40	2	1.5	UC208	HA208
UCHA209	85	49	19	108	82	136	21	48	4	2.1	UC209	HA209
UCHA210	90	52	19	114	83	140	21	48	5	2.6	UC210	HA210
UCHA211	100	56	22.2	126	87	150	25	60	7	2.9	UC211	HA211
UCHA212	110	65	25.4	142	102	173	28	60	9	4.4	UC212	HA212
UCHA213	120	65	25.4	166	117	200	32	70	9.5	6.6	UC213	HA213
UCHA214	125	75	30.2	166	117	200	32	70	9.5	6.8	UC214	HA214
UCHA215	130	78	33.3	166	117	200	32	70	9.5	7	UC215	HA215



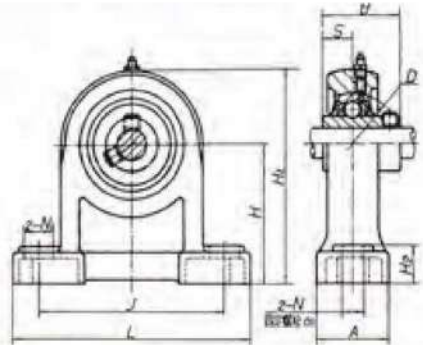
Bearing	D	B	S	L	J	J1	H	H1	C	F	A	A1
UCVFB201	40	27.4	11.5	62	32	27	110	42	52	52	25.5	13
UCVFB202	40	27.4	11.5	62	32	27	110	42	52	52	25.5	13
UCVFB203	40	27.4	11.5	62	32	27	110	42	52	52	25.5	13
UCFB204	47	31	12.7	62	32	27	110	42	52	52	25.5	13
UCFB205	52	34.1	14.3	68	34	27	116	45	52	56	27	13
UCFB206	62	38.1	15.9	78	40	29	130	50	55	65	31	13
UCFB207	72	42.9	17.5	90	46	32	144	55	62	70	34	15
UCFB208	80	49.2	19	100	50	41	164	60	72	78	36	16
UCFB209	85	49.2	19	106	54	43	174	65	76	80	38	18
UCFB210	90	51.6	19	112	58	46	184	68	82	86	40	18



Bearing	D	B	S	L	J	H	H1	H2	A	A1	A2	N
UCWFA201	40	27.4	11.5	102	78	60	54	40	25.5	12	15	10
UCVFA202	40	27.4	11.5	102	78	60	54	40	25.5	12	15	10
UCVFA203	40	27.4	11.5	102	78	60	54	40	25.5	12	15	10
UCFA204	47	31.0	12.7	102	78	60	54	40	25.5	12	15	10
UCFA205	52	34.1	14.3	125	98	68	65	51	27	14	16	12
UCFA206	62	38.1	15.9	144	117	80	72	58	31	14	18	12
UCFA207	72	42.9	17.5	161	130	90	82	66	34	16	19	15
UCFA208	80	49.2	19	175	144	100	87	71	36	16	21	15
UCFA209	85	49	19	181	148	108	90	72	38	18	22	15
UCFA210	90	52	19	190	157	115	94	76	40	18	22	15
UCFA211	100	56	22.2	219	184	130	104	86	43	20	25	16



Bearing	D	B	S	L	J	H	H1	H2	H3	A	dn	
UCVPA201	40	27.4	11.5	76	52	30.2	62	11	12	40	M10	UCV201
UCVPA202	40	27.4	11.5	76	52	30.2	62	11	12	40	M10	UCW202
UCWPA203	40	27.4	11.5	76	52	30.2	62	11	12	40	M10	UCW203
UCPA204	47	31	12.7	76	52	30.2	62	11	12	40	M10	UC204
UCPA205	52	34.1	14.3	84	56	36.5	72	12	15	45	M10	UC205
UCPA206	62	38.1	15.9	94	66	42.9	84	12	18	50	M14	UC206
UCPA207	72	42.9	17.5	110	80	47.6	95	13	20	55	M14	UC207
UCPA208	80	49.2	19	116	84	49.2	100	13	20	58	M14	UC208
UCPA209	85	49.2	19	120	90	54.2	108	13	22	60	M14	UC209
UCPA210	90	51.6	19	130	94	57.2	116	14	25	64	M16	UC210



Bearing	D	B	S	L	J	H	H1	H2	A	N	N1	de
UCVVPH201	40	27.4	11.5	127	95	70	101	15	40	13	19	M10
UCVVPH202	40	27.4	11.5	127	95	70	101	15	40	13	19	M10
UCVVPH203	40	27.4	11.5	127	95	70	101	15	40	13	19	M10
UCPH204	47	31	12.7	127	95	70	101	15	40	13	19	M10
UCPH205	52	34.1	14.3	140	105	80	114	16	50	13	19	M10
UCPH206	62	38.1	15.9	165	121	90	130	18	50	17	21	M14
UCPH207	72	42.9	17.5	167	127	95	140	19	60	17	21	M14
UCPH208	80	49.2	19	184	137	100	149	19	70	17	25	M14
UCPH209	85	49.2	19	190	146	105	157	20	70	17	25	M14
UCPH210	90	51.6	19	206	159	110	165	22	70	20	25	M16