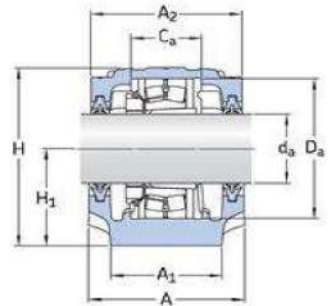
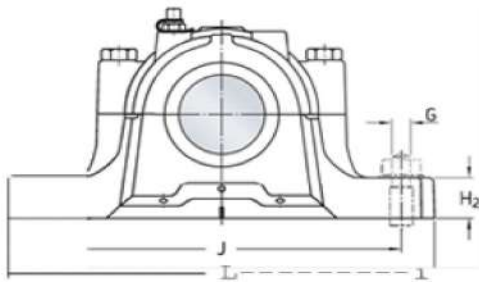


Shaft Diameter	Housing	Bearing	Adapter Sleeve	Locating Ring	Seals	End Cover
20 MM	SNA 505	1205 EK	H 205	FR 5/52	TSNG 505 NB	ASNA 505
	SNA 505	2205 EK	H 305	FR 3.5/52	TSNG 505 NB	ASNA 505
	SNA 505	22205 CK.W33	H 305	FR 3.5/52	TSNG 505 NB	ASNA 505
	SNA 506-605	1305 EK	H 305	FR 7.5/62	TSNG 605 NB	ASNA 506-605

25 MM	SNA 506-605	1206 EK	H 206	FR 8/62	TSNG 506 NB	ASNA 506-605
	SNA 506-605	2206 EK	H 306	FR 6/62	TSNG 506 NB	ASNA 506-605
	SNA 506-605	22206 CK.W33	H 306	FR 6/62	TSNG 506 NB	ASNA 506-605
	SNA 507-606	1306 EK	H 306	FR 7.5/72	TSNG 606 NB	ASNA 507-606
	SNA 507-606	2306 EK	H 2306	FR 3.5/72	TSNG 606 NB	ASNA 507-606
	SNA 507-606	21306 CK.W33	H 306	FR 7.5/72	TSNG 606 NB	ASNA 507-606

30 MM	SNA 507-606	1207 EK	H 207	FR 8.5/72	TSNG 507 NB	ASNA 507-606
	SNA 507-606	2207 EK	H 307	FR 5.5/72	TSNG 507 NB	ASNA 507-606
	SNA 507-606	22207 CK.W33	H 307	FR 5.5/72	TSNG 507 NB	ASNA 507-606
	SNA 508-607	1307 EK	H 307	FR 9/80	TSNG 607 NB	ASNA 508-607
	SNA 508-607	2307 EK	H 2307	FR 4/80	TSNG 607 NB	ASNA 508-607
	SNA 508-607	21307 CK.W33	H 307	FR 9/80	TSNG 607 NB	ASNA 508-607

35 MM	SNA 508-607	1208 EK	H 208	FR 10.5/80	TSNG 508 NB	ASNA 508-607
	SNA 508-607	2208 EK	H 308	FR 8/80	TSNG 508 NB	ASNA 508-607
	SNA 508-607	22208 CK.W33	H 308	FR 8/80	TSNG 508 NB	ASNA 508-607
	SNA 510-608	1308 EK	H 308	FR 9/90	TSNG 608 NB	ASNA 510-608
	SNA 510-608	2308 EK	H 2308	FR 4/90	TSNG 608 NB	ASNA 510-608
	SNA 510-608	21308 CK.W33	H 308	FR 9/90	TSNG 608 NB	ASNA 510-608
	SNA 510-608	22308 CK.W33	H 2308	FR 4/90	TSNG 608 NB	ASNA 510-608

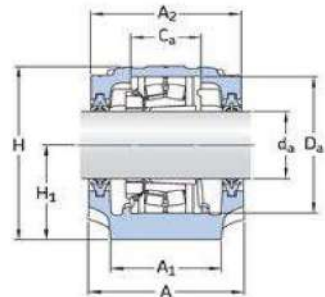
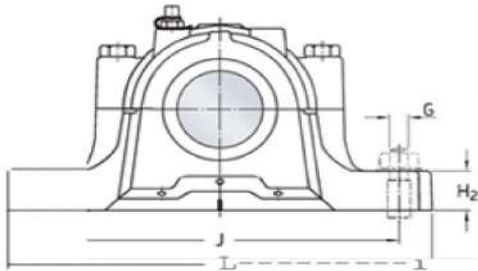


Shaft Diameter	Housing	Bearing	Adapter Sleeve	Locating Ring	Seals	End Cover
40 MM	SNA 509	1209 EK	H 209	FR 5.5/85	TSNG 509 NB	ASNA 509
	SNA 509	2209 EK	H 309	FR 3.5/85	TSNG 509 NB	ASNA 509
	SNA 509	22209 CK.W33	H 309	FR 3.5/85	TSNG 509 NB	ASNA 509
	SNA 511-609	1309 EK	H 309	FR 9.5/100	TSNG 609 NB	ASNA 511-609
	SNA 511-609	2309 EK	H 2309	FR 4/100	TSNG 609 NB	ASNA 511-609
	SNA 511-609	21309 CK.W33	H 309	FR 9.5/100	TSNG 609 NB	ASNA 511-609
	SNA 511-609	22309 CK.W33	H 2309	FR 4/100	TSNG 609 NB	ASNA 511-609

45 MM	SNA 510-608	1210 EK	H 210	FR 10.5/90	TSNG 510 NB	ASNA 510-608
	SNA 510-608	2210 EK	H 310	FR 9/90	TSNG 510 NB	ASNA 510-608
	SNA 510-608	22210 CK.W33	H 310	FR 9/90	TSNG 510 NB	ASNA 510-608
	SNA 512-610	1310 EK	H 310	FR 10.5/110	TSNG 610 NB	ASNA 512-610
	SNA 512-610	2310 EK	H 2310	FR 4/110	TSNG 610 NB	ASNA 512-610
	SNA 512-610	21310 CK.W33	H 310	FR 10.5/110	TSNG 610 NB	ASNA 512-610
	SNA 512-610	22310 CK.W33	H 2310	FR 4/110	TSNG 610 NB	ASNA 512-610

50 MM	SNA 511-609	1211 EK	H 211	FR 11.5/100	TSNG 511 NB	ASNA 511-609
	SNA 511-609	2211 EK	H 311	FR 9.5/100	TSNG 511 NB	ASNA 511-609
	SNA 511-609	22211 CK.W33	H 311	FR 9.5/100	TSNG 511 NB	ASNA 511-609
	SNA 513-611	1311 EK	H 311	FR 11/120	TSNG 611 NB	ASNA 513-611
	SNA 513-611	2311 EK	H 2311	FR 4/120	TSNG 611 NB	ASNA 513-611
	SNA 513-611	21311 CK.W33	H 311	FR 11/120	TSNG 611 NB	ASNA 513-611
	SNA 513-611	22311 CK.W33	H 2311	FR 4/120	TSNG 611 NB	ASNA 513-611

55 MM	SNA 512-610	1212 EK	H 212	FR 13/110	TSNG 512 NB	ASNA 512-610
	SNA 512-610	2212 EK	H 312	FR 10/110	TSNG 512 NB	ASNA 512-610
	SNA 512-610	22212 CK.W33	H 313	FR 10/110	TSNG 512 NB	ASNA 512-610
	SNA 515-612	1312 EK	H 312	FR 12.5/130	TSNG 612 NB	ASNA 515-612
	SNA 515-612	2312 EK	H 2312	FR 5/130	TSNG 612 NB	ASNA 515-612
	SNA 515-612	21312 CK.W33	H 312	FR 12.5/130	TSNG 612 NB	ASNA 515-612
	SNA 515-612	22312 CK.W33	H 2312	FR 5/130	TSNG 612 NB	ASNA 515-612

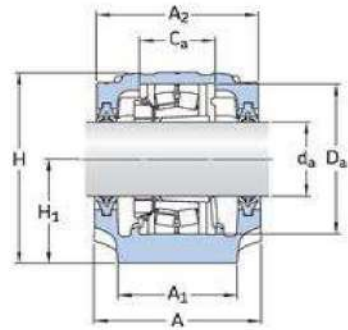
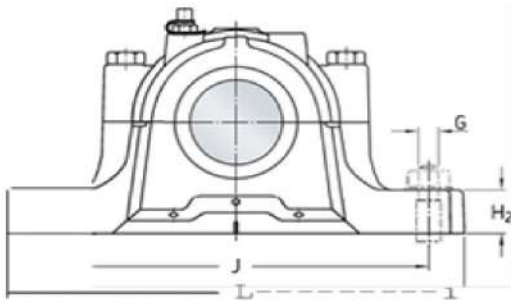


Shaft Diameter	Housing	Bearing	Adapter Sleeve	Locating Ring	Seals	End Cover
60 MM	SNA 513-611	1213 EK	H 213	FR 14/120	TSNG 513 NB	ASNA 513-611
	SNA 513-611	2213 EK	H 313	FR 10/120	TSNG 513 NB	ASNA 513-611
	SNA 513-611	22213 CK.W33	H 313	FR 10/120	TSNG 513 NB	ASNA 513-611
	SNA 516-613	1313 EK	H 313	FR 12.5/140	TSNG 613 NB	ASNA 516-613
	SNA 516-613	2313 EK	H 2313	FR 5/140	TSNG 613 NB	ASNA 516-613
	SNA 516-613	21313 CK.W33	H 313	FR 12.5/140	TSNG 613 NB	ASNA 516-613
	SNA 516-613	22313 CK.W33	H 2313	FR 5/140	TSNG 613 NB	ASNA 516-613

65 MM	SNA 515-612	1215 EK	H 215	FR 15.5/130	TSNG 515 NB	ASNA 515-612
	SNA 515-612	2215 EK	H 315	FR 12.5/130	TSNG 515 NB	ASNA 515-612
	SNA 515-612	22215 CK.W33	H 315	FR 12.5/130	TSNG 515 NB	ASNA 515-612
	SNA 518-615	1315 EK	H 315	FR 14/160	TSNG 615 NB	ASNA 518-615
	SNA 518-615	2315 EK	H 2315	FR 5/160	TSNG 615 NB	ASNA 518-615
	SNA 518-615	21315 CK.W33	H 315	FR 14/160	TSNG 615 NB	ASNA 518-615
	SNA 518-615	22315 CK.W33	H 2315	FR 5/160	TSNG 615 NB	ASNA 518-615

70 MM	SNA 516-613	1216 EK	H 216	FR 16/140	TSNG 516 NB	ASNA 516-613
	SNA 516-613	2216 EK	H 316	FR 12.5/140	TSNG 516 NB	ASNA 516-613
	SNA 516-613	22216 CK.W33	H 316	FR 12.5/140	TSNG 516 NB	ASNA 516-613
	SNA 519-616	1316 EK	H 316	FR 14.5/170	TSNG 616 NB	ASNA 519-616
	SNA 519-616	2316 EK	H 2316	FR 5/170	TSNG 616 NB	ASNA 519-616
	SNA 519-616	21316 CK.W33	H 316	FR 14.5/170	TSNG 616 NB	ASNA 519-616
	SNA 519-616	22316 CK.W33	H 2316	FR 5/170	TSNG 616 NB	ASNA 519-616

75 MM	SNA 517	1217 EK	H 217	FR 16.5/150	TSNG 517 NB	ASNA 517
	SNA 517	2217 EK	H 317	FR 12.5/150	TSNG 517 NB	ASNA 517
	SNA 517	22217 CK.W33	H 317	FR 12.5/150	TSNG 517 NB	ASNA 517
	SNA 520-617	1317 EK	H 317	FR 14.5/180	TSNG 617 NB	ASNA 520-617
	SNA 520-617	2317 EK	H 2317	FR 5/180	TSNG 617 NB	ASNA 520-617
	SNA 520-617	21317 CK.W33	H 317	FR 14.5/180	TSNG 617 NB	ASNA 520-617
	SNA 520-617	22317 CK.W33	H 2317	FR 5/180	TSNG 617 NB	ASNA 520-617

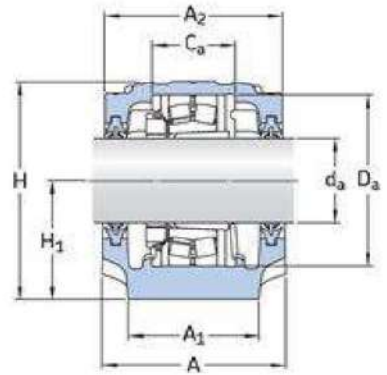
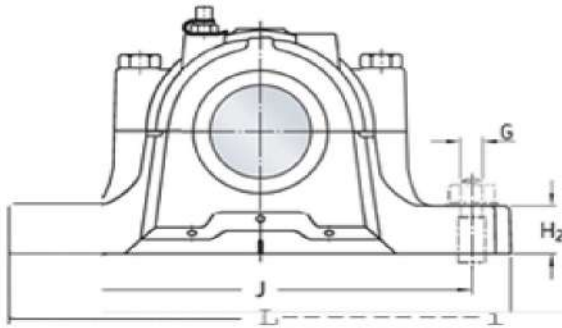


Shaft Diameter	Housing	Bearing	Adapter Sleeve	Locating Ring	Seals	End Cover
80 MM	SNA 518-615	1218 EK	H 218	FR 17.5/160	TSNG 518 NB	ASNA 518-615
	SNA 518-615	2218 EK	H 318	FR 12.5/160	TSNG 518 NB	ASNA 518-615
	SNA 518-615	22218 CK.W33	H 318	FR 12.5/160	TSNG 518 NB	ASNA 518-615
	SNA 518-615	23218 CK.W33	H 2318	FR 6.25/160	TSNG 518 NB	ASNA 518-615

85 MM	SNA 519-616	1219 EK	H 219	FR 18/170	TSNG 519 NB	ASNA 519-616
	SNA 519-616	2219 EK	H 319	FR 12.5/170	TSNG 519 NB	ASNA 519-616
	SNA 519-616	22219 CK.W33	H 319	FR 12.5/170	TSNG 519 NB	ASNA 519-616
	SNA 522-619	1319 EK	H 319	FR 17.5/200	TSNG 619 NB	ASNA 522-619
	SNA 522-619	2319 EK	H 2319	FR 6.5/200	TSNG 619 NB	ASNA 522-619
	SNA 522-619	21319 CK.W33	H 319	FR 17.5/200	TSNG 619 NB	ASNA 522-619
SNA 522-619	22319 CK.W22	H 2319	FR 6.5/200	TSNG 619 NB	ASNA 522-619	

90 MM	SNA 520-617	1220 EK	H 220	FR 18/180	TSNG 520 NB	ASNA 520-617
	SNA 520-617	2220 EK	H 320	FR 12/180	TSNG 520 NB	ASNA 520-617
	SNA 520-617	22220 CK.W33	H 320	FR 12/180	TSNG 520 NB	ASNA 520-617
	SNA 520-617	23220 CK.W33	H 2320	FR 4.85/180	TSNG 520 NB	ASNA 520-617
	SNA 524-620	1320 EK	H 320	FR 19.5/215	TSNG 620 NB	ASNA 524-620
	SNA 524-620	2320 EK	H 2320	FR 6.5/215	TSNG 620 NB	ASNA 524-620
	SNA 524-620	21320 CK.W33	H 320	FR 19.5/215	TSNG 620 NB	ASNA 524-620
SNA 524-620	22320 CK.W33	H 2320	FR 6.5/215	TSNG 620 NB	ASNA 524-620	

100 MM	SNA 522-619	1222 EK	H 222	FR 21/200	TSNG 522 NB	ASNA 522-619
	SNA 522-619	2222 EK	H 322	FR 13.5/200	TSNG 522 NB	ASNA 522-619
	SNA 522-619	22222 CK.W33	H 322	FR 13.5/200	TSNG 522 NB	ASNA 522-619
	SNA 522-619	23222 CK.W33	H 2322	FR 5.10/200	TSNG 522 NB	ASNA 522-619



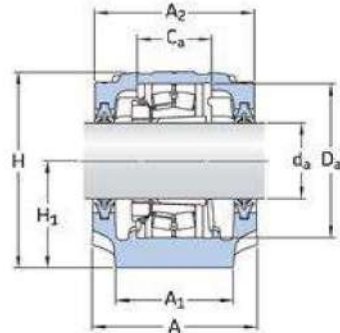
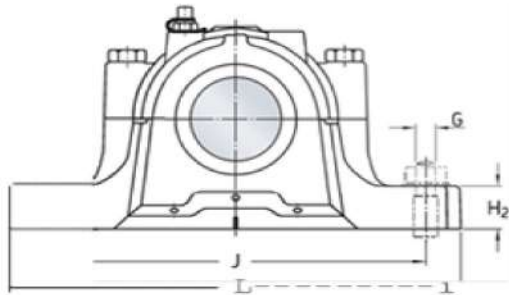
Shaft Diameter	Housing	Beairng	Adapter Sleeve	Locating Ring	Seals	End Cover
110 MM	SNA 524-620	1224 EK	H 3024	FR 22/215	TSNG 524-620	ASNA 524-620
	SNA 524-620	22224 CK.W33	H 3124	FR 14/215	TSNG 524-620	ASNA 524-620
	SNA 524-620	23224 CK.W33	H 2324	FR 5/215	TSNG 524-620	ASNA 524-620

115 MM	SNA 526	22226 CK.W33	H 3126	FR 13/230	TSNG 526 NB	ASNA 526
	SNA 526	23226 CK.W33	H 2326	FR 5/230	TSNG 526 NB	ASNA 526

125 MM	SNA 528	22228 CK.W33	H 3128	FR 15/250	TSNG 528 NB	ASNA 528
	SNA 528	23228 CK.W33	H 2328	FR 5/250	TSNG 528 NB	ASNA 528

135 MM	SNA 530	22230 CK.W33	H 3130	FR 16.5/270	TSNG 530 NB	ASNA 530
	SNA 530	23230 CK.W33	H 2330	FR 5/270	TSNG 530 NB	ASNA 530

140 MM	SNA 532	22232 CK.W33	H 3132	FR 17/290	TSNG 532 NB	ASNA 532
	SNA 532	23232 CK.W33	H 2332	FR 5/290	TSNG 532 NB	ASNA 532

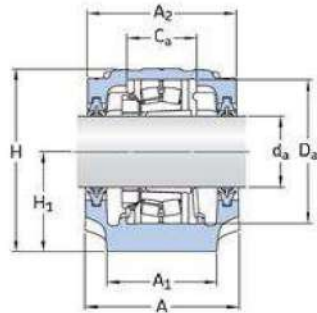
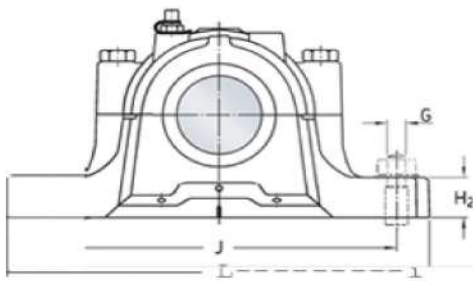


Shaft Diameter	Housing	Bearing	Adapter Sleeve	Locating Ring	Seals	End Cover
25 MM	SNA 205	1205 E		FR 5/52	TSNG 205 NB	ASNA 505
	SNA 205	2205 E		FR 3.5/52	TSNG 205 NB	ASNA 505
	SNA 205	22205 C.W33		FR 3.5/52	TSNG 205 NB	ASNA 505
	SNA 206-305	1305 E		FR 7.5/62	TSNG 305 NB	ASNA 507-606
	SNA 206-305	21305 C		FR 7.5/62	TSNG 305 NB	ASNA 507-606
	SNA 206-305	2305 E		FR 4/62	TSNG 305 NB	ASNA 507-606

30 MM	SNA 206-305	1206 E		FR 8/62	TSNG 206 NB	ASNA 506-605
	SNA 206-305	2206 E		FR 6/62	TSNG 206 NB	ASNA 506-605
	SNA 206-305	22206 C.W33		FR 6/62	TSNG 206 NB	ASNA 506-605
	SNA 507-606	1306 E		FR 7.5/72	TSNG 306 NB	ASNA 507-606
	SNA 507-606	21306 C		FR 7.5/72	TSNG 306 NB	ASNA 507-606
	SNA 507-606	2306 E		FR 3.5/72	TSNG 306 NB	ASNA 507-606

35 MM	SNA 207	1207 E		FR 8.5/72	TSNG 207 NB	ASNA 509
	SNA 207	2207 E		FR 5.5/72	TSNG 207 NB	ASNA 509
	SNA 207	22207 C.W33		FR 5.5/72	TSNG 207 NB	ASNA 509
	SNA 208-307	1307 E		FR 9/80	TSNG 307 NB	ASNA 510-608
	SNA 208-307	2307 E		FR 4/80	TSNG 307 NB	ASNA 510-608
	SNA 208-307	21307 C		FR 9/80	TSNG 307 NB	ASNA 510-608

40 MM	SNA 208-307	1208 E		FR 10.5/80	TSNG 208 NB	ASNA 510-608
	SNA 208-307	2208 E		FR 8/80	TSNG 208 NB	ASNA 510-608
	SNA 208-307	22208 C.W33		FR 8/80	TSNG 208 NB	ASNA 510-608
	SNA 510-608	1308 E		FR 9/90	TSNG 308 NB	ASNA 510-608
	SNA 510-608	2308 E		FR 4/90	TSNG 308 NB	ASNA 510-608
	SNA 510-608	21308 C.W33		FR 9/90	TSNG 308 NB	ASNA 510-608
	SNA 510-608	22308 C.W33		FR 4/90	TSNG 308 NB	ASNA 510-608

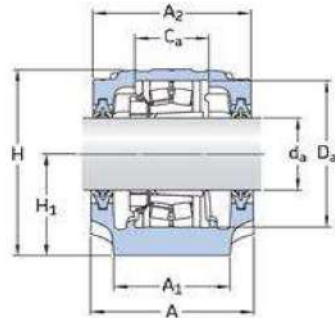
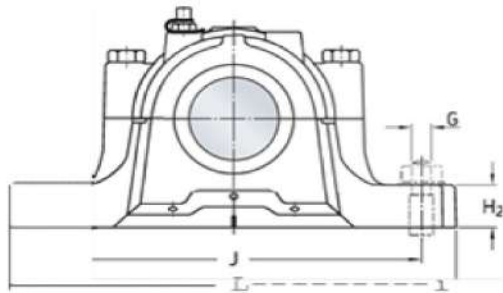


Shaft Diameter	Housing	Bearing	Adapter Sleeve	Locating Ring	Seals	End Cover
45 MM	SNA 209	1209 E		FR 5.5/85	TSNG 209 NB	ASNA 511-609
	SNA 209	2209 E		FR 3.5/85	TSNG 209 NB	ASNA 511-609
	SNA 209	22209 C.W33		FR 3.5/85	TSNG 209 NB	ASNA 511-609
	SNA 511-609	1309 E		FR 9.5/100	TSNG 309 NB	ASNA 511-609
	SNA 511-609	2309 E		FR 4/100	TSNG 309 NB	ASNA 511-609
	SNA 511-609	21309 C.W33		FR 9.5/100	TSNG 309 NB	ASNA 511-609
	SNA 511-609	22309 C.W33		FR 4/100	TSNG 309 NB	ASNA 511-609

50 MM	SNA 210	1210 E		FR 10.5/90	TSNG 210 NB	ASNA 512-610
	SNA 210	2210 E		FR 9/90	TSNG 210 NB	ASNA 512-610
	SNA 210	22210 C.W33		FR 9/90	TSNG 210 NB	ASNA 512-610
	SNA 512-610	1310 E		FR 10.5/110	TSNG 310 NB	ASNA 512-610
	SNA 512-610	2310 E		FR 4/110	TSNG 310 NB	ASNA 512-610
	SNA 512-610	21310 C.W33		FR 10.5/110	TSNG 310 NB	ASNA 512-610
	SNA 512-610	22310 C.W33		FR 4/110	TSNG 310 NB	ASNA 512-610

55 MM	SNA 211	1211 E		FR 11.5/100	TSNG 211 NB	ASNA 513-611
	SNA 211	2211 E		FR 9.5/100	TSNG 211 NB	ASNA 513-611
	SNA 211	22211 C.W33		FR 9.5/100	TSNG 211 NB	ASNA 513-611
	SNA 513-611	1311 E		FR 11/120	TSNG 311 NB	ASNA 513-611
	SNA 513-611	2311 E		FR 4/120	TSNG 311 NB	ASNA 513-611
	SNA 513-611	21311 C.W33		FR 11/120	TSNG 311 NB	ASNA 513-611
	SNA 513-611	22311 C.W33		FR 4/120	TSNG 311 NB	ASNA 513-611

60 MM	SNA 212	1212 E		FR 13/110	TSNG 212 NB	ASNA 515-612
	SNA 212	2212 E		FR 10/110	TSNG 212 NB	ASNA 515-612
	SNA 212	22212 C.W33		FR 10/110	TSNG 212 NB	ASNA 515-612
	SNA 515-612	1312 E		FR 12.5/130	TSNG 312 NB	ASNA 515-612
	SNA 515-612	2312 E		FR 5/130	TSNG 312 NB	ASNA 515-612
	SNA 515-612	21312 C.W33		FR 12.5/130	TSNG 312 NB	ASNA 515-612
	SNA 515-612	22312 C.W33		FR 5/130	TSNG 312 NB	ASNA 515-612

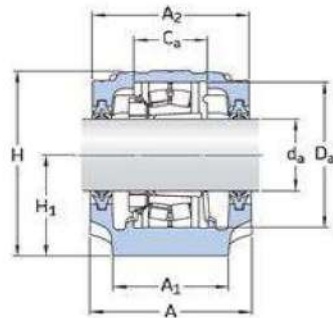
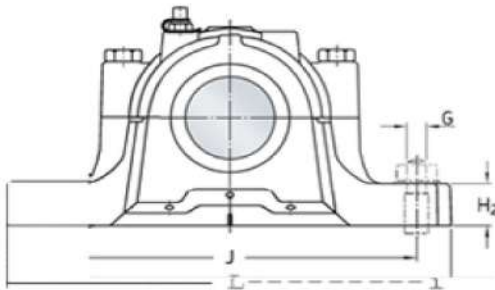


Shaft Diameter	Housing	Bearing	Adapter Sleeve	Locating Ring	Seals	End Cover
65 MM	SNA 213	1213 E		FR 14/120	TSNG 213 NB	ASNA 516-613
	SNA 213	2213 E		FR 10/120	TSNG 213 NB	ASNA 516-613
	SNA 213	22213 C.W33		FR 10/120	TSNG 213 NB	ASNA 516-613
	SNA 516-613	1313 E		FR 12.5/140	TSNG 313 NB	ASNA 516-613
	SNA 516-613	2313 E		FR 5/140	TSNG 313 NB	ASNA 516-613
	SNA 516-613	21313 C.W33		FR 12.5/140	TSNG 313 NB	ASNA 516-613
	SNA 516-613	22313 C.W33		FR 5/140	TSNG 313 NB	ASNA 516-613

70 MM	SNA 517	1314 E		FR 13/150	TSNG 314 NB	ASNA 517
	SNA 517	2314 E		FR 5/150	TSNG 314 NB	ASNA 517
	SNA 517	21314 C.W33		FR 13/150	TSNG 314 NB	ASNA 517
	SNA 517	22314 C.W33		FR 5/150	TSNG 314 NB	ASNA 517

75 MM	SNA 215	1215 E		FR 15.5/130	TSNG 215 NB	ASNA 518-615
	SNA 215	2215 E		FR 12.5/130	TSNG 215 NB	ASNA 518-615
	SNA 215	22215 C.W33		FR 12.5/130	TSNG 215 NB	ASNA 518-615
	SNA 518-615	1315 E		FR 14/160	TSNG 315 NB	ASNA 518-615
	SNA 518-615	2315 E		FR 5/160	TSNG 315 NB	ASNA 518-615
	SNA 518-615	21315 C.W33		FR 14/160	TSNG 315 NB	ASNA 518-615
	SNA 518-615	22315 C.W33		FR 5/160	TSNG 315 NB	ASNA 518-615

80 MM	SNA 216	1216 E		FR 16/140	TSNG 216 NB	ASNA 216
	SNA 216	2216 E		FR 12.5/140	TSNG 216 NB	ASNA 216
	SNA 216	22216 C.W33		FR 12.5/140	TSNG 216 NB	ASNA 216
	SNA 519-616	1316 E		FR 14.5/170	TSNG 316 NB	ASNA 519-616
	SNA 519-616	2316 E		FR 5/170	TSNG 316 NB	ASNA 519-616
	SNA 519-616	21316 C.W33		FR 14.5/170	TSNG 316 NB	ASNA 519-616
	SNA 519-616	22316 C.W33		FR 5/170	TSNG 316 NB	ASNA 519-616

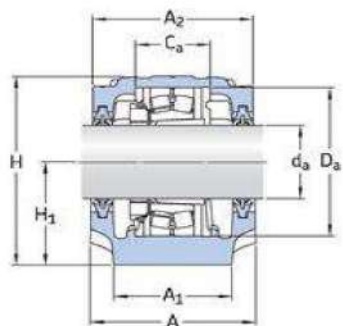
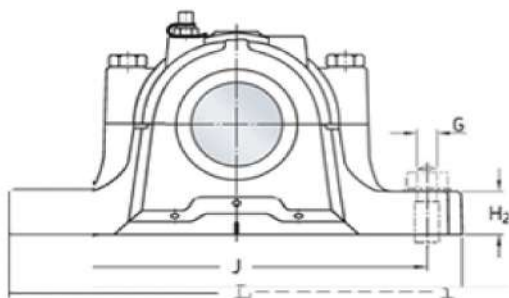


Shaft Diameter	Housing	Bearng	Adapter Sleeve	Locating Ring	Seals	End Cover
85 MM	SNA 217	1217 E		FR 16.5/150	TSNG 217 NB	ASNA 217
	SNA 217	2217 E		FR 12.5/150	TSNG 217 NB	ASNA 217
	SNA 217	22217 C.W33		FR 12.5/150	TSNG 217 NB	ASNA 217
	SNA 520-617	1317 E		FR 14.5/180	TSNG 317 NB	ASNA 520-617
	SNA 520-617	2317 E		FR 5/180	TSNG 317 NB	ASNA 520-617
	SNA 520-617	21317 C.W33		FR 14.5/180	TSNG 317 NB	ASNA 520-617
	SNA 520-617	22317 C.W33		FR 5/180	TSNG 317 NB	ASNA 520-617

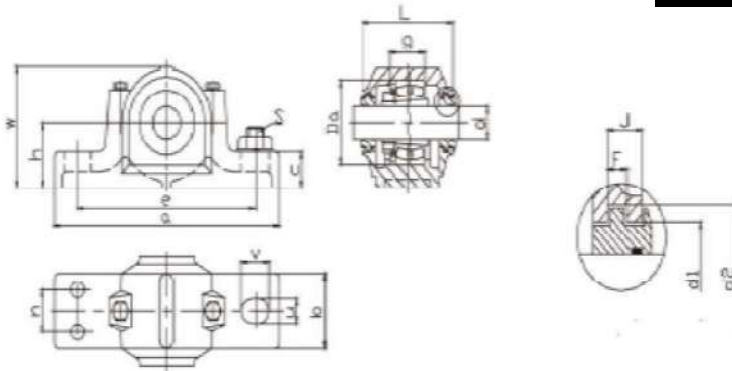
90 MM	SNA 218	1218 E		FR 17.5/160	TSNG 218 NB	ASNA 218
	SNA 218	2218 E		FR 12.5/160	TSNG 218 NB	ASNA 218
	SNA 218	22218 C.W33		FR 12.5/160	TSNG 218 NB	ASNA 218
	SNA 218	23218 C.W33		FR 6.25/160	TSNG 218 NB	ASNA 218

95 MM	SNA 522-619	1319 EM		FR 17.5/200	TSNG 319 NB	ASNA 522-619
	SNA 522-619	2319 EM		FR 6.5/200	TSNG 319 NB	ASNA 522-619
	SNA 522-619	21319 C.W33		FR 17.5/200	TSNG 319 NB	ASNA 522-619
	SNA 522-619	22319 C.W33		FR 6.5/200	TSNG 319 NB	ASNA 522-619

100 MM	SNA 520-617	1220 M		FR 18/180	TSNG 220 NB	ASNA 520-617
	SNA 520-617	2220 EM		FR 12/180	TSNG 220 NB	ASNA 520-617
	SNA 520-617	22220 C.W33		FR 12/180	TSNG 220 NB	ASNA 520-617
	SNA 520-617	23220 C.W33		FR 4.85/180	TSNG 220 NB	ASNA 520-617
	SNA 524-620	1320 M		FR 19.5/215	TSNG 320 NB	ASNA 524-620
	SNA 524-620	2320 M		FR 6.5/215	TSNG 320 NB	ASNA 524-620
	SNA 524-620	21320 C.W33		FR 19.5/215	TSNG 320 NB	ASNA 524-620
	SNA 524-620	23220 C.W33		FR 6.5/215	TSNG 320 NB	ASNA 524-620



Shaft Diameter	Housing	Beairng	Adapter Sleeve	Locating Ring	Seals	End Cover
110 MM	SNA 522-619	1222 M		FR 21/200	TSNG 222 NB	ASNA 522-619
	SNA 522-619	2222 M		FR 13.5/200	TSNG 222 NB	ASNA 522-619
	SNA 522-619	22222 C.W33		FR 13.5/200	TSNG 222 NB	ASNA 522-619
	SNA 522-619	23222 C.W33		FR 5.1/200		ASNA 522-619
120 MM	SNA 524-620	1224 M		FR 22/215	TSNG 224 NB	ASNA 524-620
	SNA 524-620	22224 C.W33		FR 14/215	TSNG 224 NB	ASNA 524-620
	SNA 524-620	23224 C.W33		FR 5/215	TSNG 224 NB	ASNA 524-620
130 MM	SNA 526	1226 M		FR 22/230	TSNG 226 NB	ASNA 526
	SNA 526	22226 C.W33		FR 13/230	TSNG 226 NB	ASNA 526
	SNA 526	23226 C.W33		FR 5/230	TSNG 226 NB	ASNA 526
140 MM	SNA 528	22228 C.W33		FR 15/250	TSNG 228 NB	ASNA 528
	SNA 528	23228 C.W33		FR 5/250	TSNG 228 NB	ASNA 528
150 MM	SNA 530	22230 C.W33		FR 16.5/270	TSNG 230 NB	ASNA 530
	SNA 530	23230 C.W33		FR 5/270	TSNG 230 NB	ASNA 530
160 MM	SNA 532	22232 C.W33		FR 17/290	TSNG 232 NB	ASNA 532
	SNA 532	23232 C.W33		FR 5/290	TSNG 232 NB	ASNA 532



Housing	d (mm)	H	a	e	b	u	v	c	W	L	d1	d2	J	F	g	Da	S	Wt kg
SNA 505	20	40	165	130	46	15	20	19	74	67	31,5	39,5	7,5	5	25	52	M10	1,9
SNA 506-605	25	50	185	150	52	15	20	22	89	77	36,5	44,5	7,5	5	32	62	M10	2,2
SNA 507-606	30	50	185	150	52	15	20	22	93	82	46,5	54,5	7,5	5	34	72	M10	2,4
SNA 508-607	35	60	205	170	60	15	20	25	108	85	51,5	59,5	7,5	5	39	80	M12	3,2
SNA 509	40	60	205	170	60	15	20	25	109	85	56,5	64,5	8,5	5	30	85	M12	3,5
SNA 510-608	45	60	205	170	60	15	20	25	113	90	62,0	70,5	8,5	5	41	90	M12	3,9
SNA 511-609	50	70	255	210	70	18	24	28	128	95	67,0	75,5	8,5	5	44	100	M16	5,2
SNA 512-610	55	70	255	210	70	18	24	30	134	105	72,0	80,5	8,5	5	48	110	M16	6,7
SNA 513-611	60	80	275	230	80	18	24	30	149	110	77,0	85,5	8,5	5	51	120	M16	7,9
SNA 515-612	65	80	280	230	80	18	24	30	155	115	87,0	95,5	8,5	5	56	130	M16	7,7
SNA 516-613	70	95	315	260	90	22	28	32	177	120	92,5	101,0	10,5	5	58	140	M20	11,0
SNA 517	75	95	320	260	90	22	28	32	183	125	97,5	106,0	10,5	5	61	150	M20	12,7
SNA 518-615	80	100	345	290	100	22	28	35	194	140	102,5	111,0	10,5	5	65	160	M20	14,8
SNA 519-616	85	112	345	290	100	22	28	35	212	145	131,0	141,0	11,5	6	68	170	M20	15,5
SNA 520-617	90	112	380	320	110	26	32	40	218	160	137,5	147,5	11,5	6	70	180	M24	18,4
SNA 522-619	100	125	410	350	120	26	32	45	242	175	147,5	157,5	11,5	6	80	200	M24	24,8
SNA 524-620	110	140	410	350	120	26	32	45	271	185	157,5	167,5	11,5	6	86	215	M24	32,2
SNA 526	115	150	445	380	130	28	35	50	290	190	157,5	177,5	13,0	6	90	230	M24	39,8
SNA 528	125	150	500	420	150	35	42	50	302	205	177,5	187,5	13,0	6	98	250	M30	48,8
SNA 530	135	160	530	450	160	35	42	60	323	220	192,5	202,5	13,5	6	106	270	M30	56,5
SNA 532	140	170	550	470	160	35	42	60	344	235	202,5	212,5	13,5	6	114	290	M30	63,5