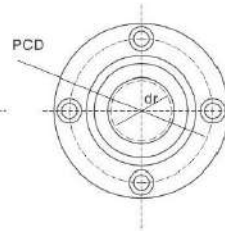
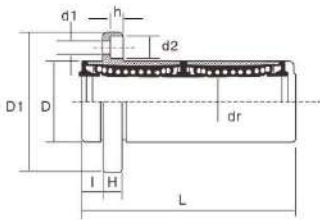


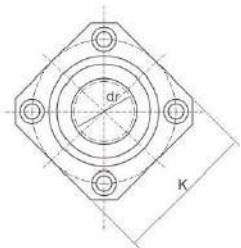
Flange linear bearing series

LMFP...LUU

LMKP...LUU



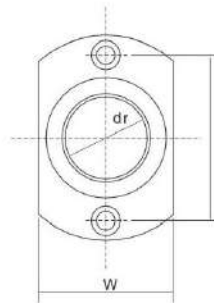
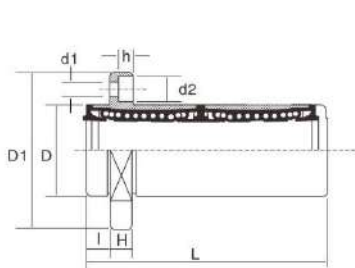
LMFP L



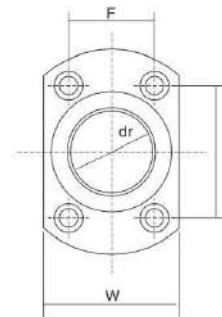
LMKP L

Seal Type	Ball Circuit	Dr (mm)	Tolerance (μm)	D (mm)	Tolerance (μm)	L ±0.3 (mm)	I (mm)	D1 (mm)	K (mm)	H (mm)	PCD (mm)	D1xd2xh	Eccentricity	Basic Load Rating		Weight (g)
														C N	Co N	
LMFP6LUU	4	6		12		35	5	28	22	5	20	3.5×6×3.1		323	529	31
LMFP8LUU	4	8	0 -10	15	0 -13	45	5	32	25	5	24	3.5×6×3.1	15	431	784	51
LMFP10LUU	4	10		19		55	6	40	30	6	29	4.5×7.5×4.1		588	1100	98
LMFP12LUU	4	12	0 -16	21	0 -16	57	6	42	32	6	32	4.5×7.5×4.1	20	813	1570	110
LMFP13LUU	4	13		23		61	6	43	34	6	33	4.5×7.5×4.1		813	1570	130
LMFP16LUU	5	16		28		70	6	48	37	6	38	4.5×7.5×4.1		1230	2350	190
LMFP20LUU	5	20	0 -12	32	0 -19	80	8	54	42	8	43	5.5×9×5.1	25	1400	2740	260
LMFP25LUU	6	25		40		112	8	62	50	8	51	5.5×9×5.1		1560	3140	540
LMFP30LUU	6	30		45		123	10	74	58	10	60	6.6×11×6.1		2490	5490	680
LMFP35LUU	6	35		52		135	10	82	64	10	67	6.6×11×6.1		2650	6270	1020
LMFP40LUU	6	40	0 -15	60	0 -22	151	13	96	75	13	78	9×14×8.1	25	3430	8040	1570
LMFP50LUU	6	50		80		192	13	116	92	13	98	9×14×8.1		6080	15900	3600
LMFP60LUU	6	60	0 -20	90	0 -25	209	18	134	106	18	112	11×17.5×10.8		7550	20000	4500

Linear bearing series LMHP...LUU



LMHP6L~LMHP13L

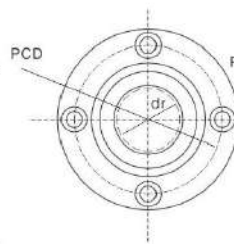
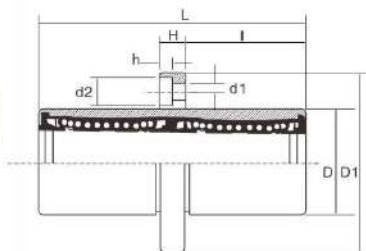


LMHP16L~LMHP30L

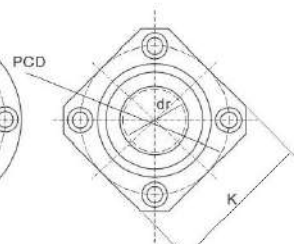
Dimensions (mm)													Basic Load Rating				
Seal Type	Ball Circuit	Dr (mm)	Tolerance (μm)	D (mm)	Tolerance (μm)	L ±0.3 (mm)	I (mm)	D1 (mm)	W (mm)	H (mm)	A (mm)	F (mm)	D1xd2xh	Eccentricity	C N	Co N	Weight (g)
LMHP6LUU	4	6		12	0	35	5	28	18	5	20	-	3.5×6×3.1		206	265	21
LMHP8LUU	4	8		15	-13	45	5	32	21	5	24	-	3.5×6×3.1		274	392	33
LMHP10LUU	4	10	0	19		55	6	40	25	6	29	-	4.5×7.5×4.1	15	372	549	64
LMHP12LUU	4	12	-10	21	0	57	6	42	27	6	32	-	4.5×7.5×4.1		510	784	68
LMHP13LUU	4	13		23	-16	61	6	43	29	6	33	-	4.5×7.5×4.1		510	784	81
LMHP16LUU	5	16		28		70	6	48	34	6	31	22	4.5×7.5×4.1		774	1180	112
LMHP20LUU	5	20		32		80	8	54	38	8	36	24	5.5×9×5.1		882	1370	167
LMHP25LUU	6	25	0	40	0	112	8	62	46	8	40	32	5.5×9×5.1	20	980	1570	325
LMHP30LUU	6	30	-12	45	-19	123	10	74	51	10	49	35	6.6×11×6.1		1570	2740	388

Flange linear bearing series

LMFC...LUU LMKC...LUU



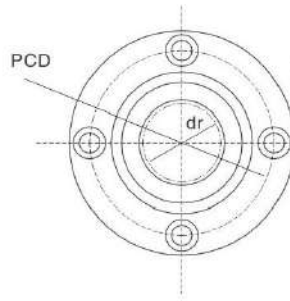
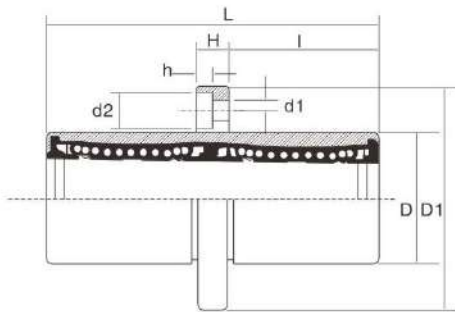
LMFC



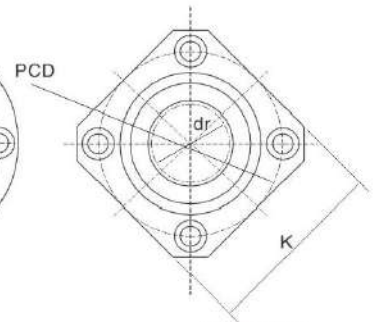
LMKC

Seal Type	Ball Circuit	Dr (mm)	Tolerance (μm)	D (mm)	Tolerance (μm)	Dimensions (mm)						D1xd2xh	Eccentricity	Basic Load Rating		Weight (g)
						L ±0.3 (mm)	I (mm)	D1 (mm)	K (mm)	H (mm)	PCD (mm)			C N	Co N	
LMFC6LUU	4	6		12	0	35	15	28	22	5	20	3.5×6×3.1	15	323	529	31
LMFC8LUU	4	8		15	-13	45	20	32	25	5	24	3.5×6×3.1	15	431	784	51
LMFC10LUU	4	10	0	19		55	24.5	40	30	6	29	4.5×7.5×4.1	15	588	1100	98
LMFC12LUU	4	12	-10	21	0	57	25.5	42	32	6	32	4.5×7.5×4.1	15	813	1570	110
LMFC13LUU	4	13		23	-16	61	27.5	43	34	6	33	4.5×7.5×4.1	15	813	1570	130
LMFC16LUU	5	16		28		70	32	48	37	6	38	4.5×7.5×4.1	15	1230	2350	190
LMFC20LUU	5	20		32		80	36	54	42	8	43	5.5×9×5.1	15	1400	2740	260
LMFC25LUU	6	25	0	40	0	112	52	62	50	8	51	5.5×9×5.1	20	1560	3140	540
LMFC30LUU	6	30		45		123	56.5	74	58	10	60	6.6×11×6.1	20	2490	5490	680
LMFC35LUU	6	35		52		135	62.5	82	64	10	67	6.6×11×6.1	20	2650	6270	1020
LMFC40LUU	6	40	0	60	0	151	69	96	75	13	78	9×14×8.1	25	3430	8040	1570
LMFC50LUU	6	50	-15	80	-22	192	89.5	116	92	13	98	9×14×8.1	25	6080	15900	3600
LMFC60LUU	6	60	0	90	0	209	95.5	134	106	18	112	11×17×11.1	30	7550	20000	4500

Linear bearing series
LMEFC...LUU
LMEKC...LUU



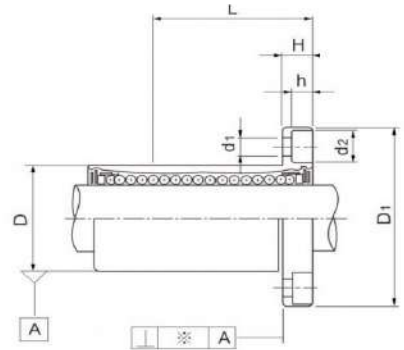
LMEFC



LMEKC

Seal Type	Ball Circuit	Dimensions (mm)											Basic Load Rating		Weight (g)	
		Dr (mm)	Tolerance (µm)	D (mm)	Tolerance (µm)	L ±0.3 (mm)	I (mm)	D1 (mm)	K (mm)	H (mm)	PCD (mm)	D1xd2xh	Eccentricity	C N		Co N
LMEFC8LUU	4	8	+9 -1	16	0 -13	46	20.5	32	25	5	24	3.5×6×3.1		431	804	59
LMEFC12LUU	4	12		22	0 -16	61	27.5	42	32	6	32	4.5×7.5×4.1	15	813	1570	110
LMEFC16LUU	5	16	+11 -1	26		68	31	46	35	6	36	4.5×7.5×4.1		921	1780	160
LMEFC20LUU	5	20		32		80	36	54	42	8	43	5.5×9×5.1		1370	2740	260
LMEFC25LUU	6	25	+13 -2	40	0 -19	112	52	62	50	8	51	5.5×9×5.1	17	1570	3140	540
LMEFC30LUU	6	30		47		123	56.5	76	60	10	62	6.6×11×6.1		2500	5490	815
LMEFC40LUU	6	40		62	0 -22	151	69	98	75	13	80	9×14×8.1		3430	8040	1805
LMEFC50LUU	6	50	+16 -4	75		192	89.5	112	88	13	94	9×14×8.1	20	6080	15900	2820
LMEFC60LUU	6	60		90	0 -25	209	95.5	134	106	18	112	11×17×11.1	25	7550	20000	4920

Flange long type linear bearing series
LMF...LUU LMK...LUU
LMH...LUU



LMF...LUU



LMK...LUU



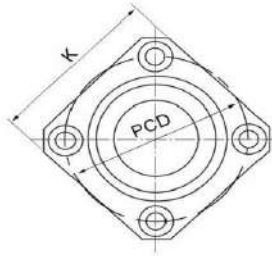
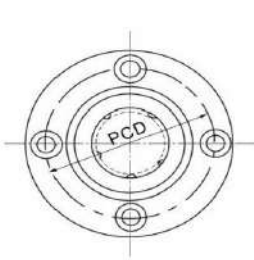
LMH...LUU

Type			No. of ball rows	Weight (gf)	Radial (max) (μm)	Basic Load rating		ID	
R.F.L	Q.F.L	O.F.L				C (N)	Co (N)	Dr (mm)	(μm)
LMF 6LUU	LMK 6LUU	LMH 6LUU	4	31	-3	320	520	6	
LMF 8LUU	LMK 8LUU	LMH 8LUU	4	51	-3	430	780	8	
LMF 10LUU	LMK 10LUU	LMH 10LUU	4	98	-4	580	1100	10	
LMF 12LUU	LMK 12LUU	LMH 12LUU	4	110	-4	650	1200	12	
LMF 13LUU	LMK 13LUU	LMH 13LUU	4	130	-4	810	1570	13	0
LMF 16LUU	LMK 16LUU	LMH 16LUU	4	190	-6	1230	2350	16	
LMF 20LUU	LMK 20LUU	LMH 20LUU	5	260	-6	1400	2750	20	
LMF 25LUU	LMK 25LUU	LMH 25LUU	5	540	-6	1560	3140	25	
LMF 30LUU	LMK 30LUU	LMH 30LUU	6	680	-8	2490	5490	30	0
LMF 35LUU	LMK 35LUU	-	6	1020	-8	2650	6470	35	-12
LMF 40LUU	LMK 40LUU	-	6	1570	-10	3430	8040	40	
LMF 50LUU	LMK 50LUU	-	6	3600	-13	6080	15900	50	0
LMF 60LUU	LMK 60LUU	-	6	4500	-13	7650	20000	60	-15
									0
									-20

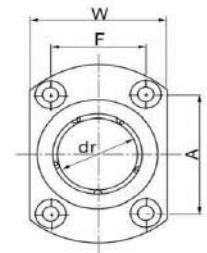
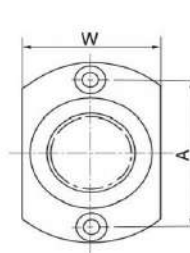
Note: Choose nickelge also

1N=0.102kgf

Flange long type linear bearing series
LMF...LUU **LMK...LUU**
LMH...LUU



LMK...LUU



LMH...LUU

Dimensions (mm)													Type	
(mm)	D (μm)	L (mm)	L (μm)	D ₁ (mm)	D ₁ (μm)	H	PCD	K	W	A	F	Verticality (μm)		d ₁ ×d ₂ ×h
12		35		28		5	20	22	18	20	-	15	3.4×6.5×3.3	LMF/K/H6LUU
15	⁰ ₋₁₃	45		32		5	24	25	21	24	-	15	3.4×6.5×3.3	LMF/K/H8LUU
19		55		40		6	29	30	25	29	-	15	4.5×8×4.4	LMF/K/H10LUU
21	⁰	57		42		6	32	32	27	32	-	15	4.5×8×4.4	LMF/K/H12LUU
23	⁰ ₋₁₆	61	⁰ _{-0.2}	43		6	33	34	29	33	-	15	4.5×8×4.4	LMF/K/H13LUU
28		70		48	⁰ _{-0.200}	6	38	37	34	31	22	15	4.5×8×4.4	LMF/K/H16LUU
32		80		54		8	43	42	38	36	24	20	5.5×9.5×5.4	LMF/K/H20LUU
40		112		62		8	51	50	46	40	32	20	5.5×9.5×5.4	LMF/K/H25LUU
45	⁰ ₋₁₉	123		74		10	60	58	51	49	35	20	6.6×11×6.5	LMF/K/H30LUU
52	⁰	135		82		10	67	64	-	-	-	25	6.6×11×6.5	LMF/K/H35LUU
60	⁰ ₋₂₂	151		96		13	78	75	-	-	-	25	9×14×8.6	LMF/K/H40LUU
80		192	⁰ _{-0.3}	116	⁰ _{-0.300}	13	98	92	-	-	-	25	9×14×8.6	LMF/K/H50LUU
90	⁰ ₋₂₅	209		134		18	112	106	-	-	-	25	11×17.5×10.8	LMF/K/H60LUU

Flange linear bearing series

LMEF...LUU LMEK...LUU



LMEK...LUU

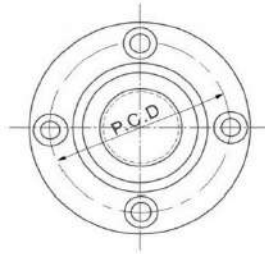
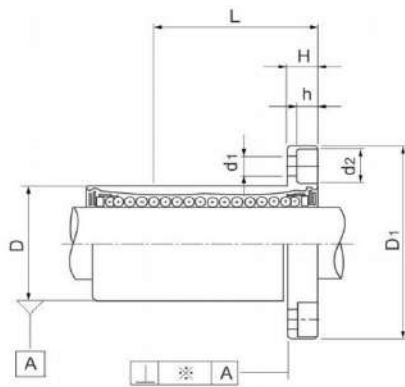


LMEF...LUU

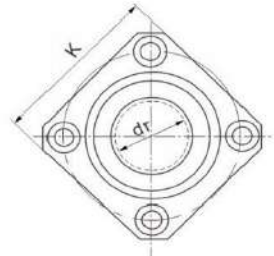
Type		No. of ball rows	Weight (gf)	Radial (max) (μm)	Basic Load rating		ID	
R.F.L	Q.F.L				C (N)	Co (N)	dr (mm)	(μm)
LMEF8LUU	LMEK8LUU	4	59	-3	430	780	8	
LMEF12LUU	LMEK12LUU	4	110	-4	650	1200	12	+9 -1
LMEF16LUU	LMEK16LUU	5	160	-4	1230	2350	16	+11 -1
LMEF20LUU	LMEK20LUU	5	260	-6	1400	2750	20	+13 -2
LMEF25LUU	LMEK25LUU	6	540	-6	1560	3140	25	+13 -2
LMEF30LUU	LMEK30LUU	6	815	-8	2490	5490	30	+16 -4
LMEF40LUU	LMEK40LUU	6	1805	-13	3430	8040	40	+16 -4
LMEF50LUU	LMEK50LUU	6	2820	-13	6080	15900	50	+16 -4
LMEF60LUU	LMEK60LUU	6	4920	-13	7650	20000	60	+16 -4

1N=0.102kgf

Flange linear bearing series LMEF...LUU LMEK...LUU



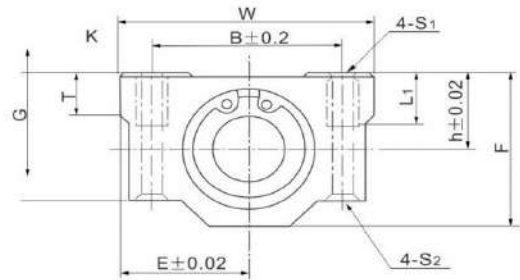
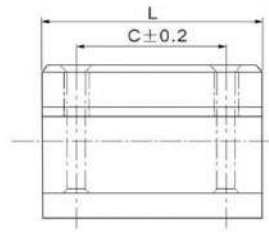
LMEF...LUU



LMEK...LUU

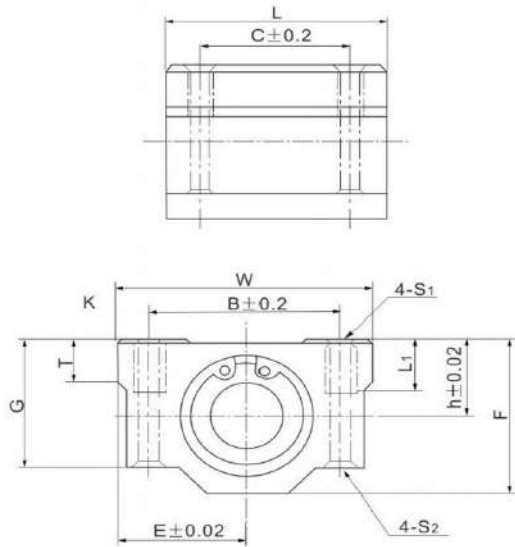
Dimensions (mm)											Type
D (mm)	D (μm)	L (mm)	L (μm)	D ₁		H	P.C.D.	K	Verticality (μm)	d ₁ × d ₂ × h	
				(mm)	(μm)						
16	⁰ ₋₁₃	46		32		5	24	25	15	3.4 × 6.5 × 3.3	LMEF/K 8 LUU
22	⁰ ₋₁₆	61		42		6	32	32	15	4.5 × 8 × 4.4	LMEF/K 12 LUU
26		68	⁰ _{-0.3}	46	⁰ _{-0.2}	6	36	35	15	4.5 × 8 × 4.4	LMEF/K 16 LUU
32	⁰ ₋₁₉	80		54		8	43	42	17	5.5 × 9.5 × 5.4	LMEF/K 20 LUU
40		112		62		8	51	50	17	5.5 × 9.5 × 5.4	LMEF/K 25 LUU
47		123		76		10	62	60	17	6.6 × 11 × 6.5	LMEF/K 30 LUU
62	⁰ ₋₂₂	151	⁰ _{-0.4}	98		13	80	75	20	9 × 14 × 8.6	LMEF/K 40 LUU
75		192		112	⁰ _{-0.3}	13	94	88	20	9 × 14 × 8.6	LMEF/K 50 LUU
90	⁰ ₋₂₅	209		134		18	112	106	25	11 × 17.5 × 10.8	LMEF/K 60 LUU

Linear motion ball slide units series SCS...UU



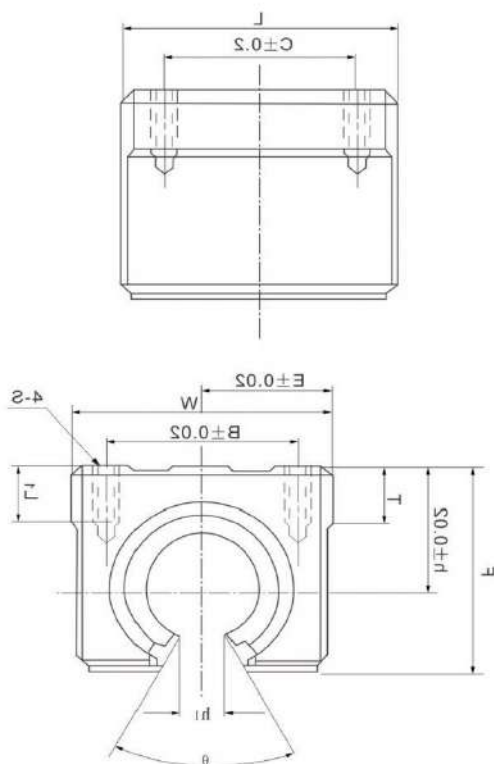
Unit Designation	Dimensions (mm)													Slide bush			Weight (g)
	T	h	E	W	L	F	G	B	C	K	S ₁	S ₂	L ₁	Designation	Basic load rating		
															dynamic C _N	static C _{0N}	
SCS6UU	6	9	15	30	25	18	15	20	15	5	M4	3.4	8	LM6 UU	206	265	34
SCS8UU	6	11	17	34	30	22	18	24	18	5	M4	3.4	8	LM8 UU	274	392	52
SCS10UU	8	13	20	40	35	26	21	28	21	6	M5	4.3	12	LM10 UU	372	549	92
SCS12UU	8	15	21	42	36	28	24	30.5	26	5.75	M5	4.3	12	LM12 UU	510	784	102
SCS13UU	8	15	22	44	39	30	24.5	33	26	5.5	M5	4.3	12	LM13 UU	510	784	120
SCS16UU	9	19	25	50	44	38.5	32.5	36	34	7	M5	4.3	12	LM16 UU	774	1180	200
SCS20UU	11	21	27	54	50	41	35	40	40	7	M6	5.2	12	LM20 UU	882	1370	255
SCS25UU	12	26	38	76	67	51.5	42	54	50	11	M8	7	18	LM25 UU	980	1570	600
SCS30UU	15	30	39	78	72	59.5	49	58	58	10	M8	7	18	LM30 UU	1570	2740	735
SCS35UU	18	34	45	90	80	68	54	70	60	10	M8	7	18	LM35 UU	1670	3140	1100
SCS40UU	20	40	51	102	90	78	62	80	60	11	M10	8.7	25	LM40 UU	2160	4020	1590
SCS50UU	25	52	61	122	110	102	80	100	80	11	M10	8.7	25	LM50 UU	3820	7940	3340
SCS60UU	30	58	66	132	122	114	94	108	90	12	M10	10.7	25	LM60 UU	4700	10000	4270

Linear motion ball slide units series SCS...LUU



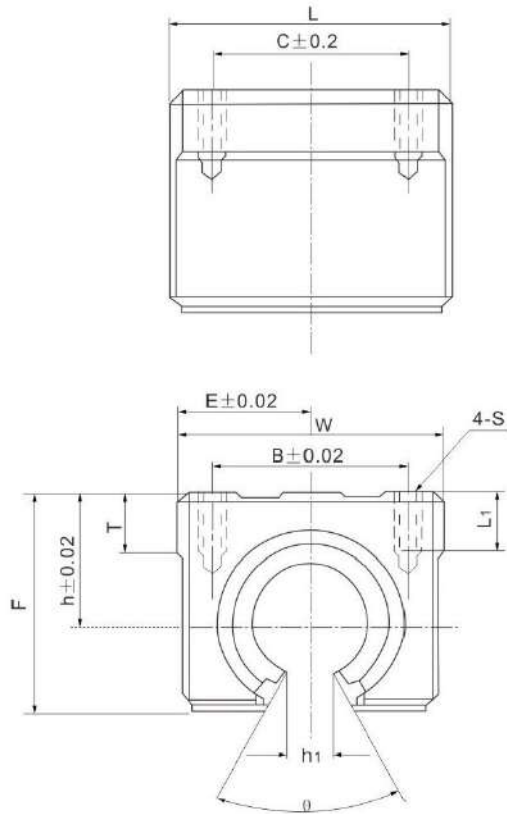
Unit Designation	Dimensions (mm)													Slide bush			Weight (g)
	T	h	E	W	L	F	G	B	C	K	S ₁	S ₂	L ₁	Designation	Basic load rating		
															dynamic C _N	static C _{0N}	
SCS8LUU	6	11	17	34	58	22	18	24	42	5	M4	3.4	8	LM8UU×2	274	392	0.1
SCS10LUU	8	13	20	40	68	26	21	28	46	6	M5	4.3	12	LM10UU×2	372	549	0.18
SCS12LUU	8	15	21	42	70	28	24	30.5	50	5.75	M5	4.3	12	LM12UU×2	510	784	0.20
SCS13LUU	8	15	22	44	75	30	24.5	33	50	5.5	M5	4.3	12	LM13UU×2	510	784	0.23
SCS16LUU	9	19	25	50	85	38.5	32.5	36	60	7	M5	4.3	12	LM16UU×2	774	1180	0.39
SCS20LUU	11	21	27	54	96	41	35	40	70	7	M6	5.2	12	LM20UU×2	882	1370	0.49
SCS25LUU	12	26	38	76	130	51.5	42	54	100	11	M8	7	18	LM25UU×2	980	1570	1.165
SCS30LUU	15	30	39	78	140	59.5	49	58	110	10	M8	7	18	LM30UU×2	1570	2740	1.43
SCS35LUU	18	34	45	90	155	68	54	70	120	10	M8	7	18	LM35UU×2	1670	3140	2.13
SCS40LUU	20	40	51	102	175	78	62	80	140	11	M10	8.7	25	LM40UU×2	2160	4020	3.09
SCS50LUU	25	52	61	122	215	102	80	100	160	11	M10	8.7	25	LM50UU×2	3820	7940	6.53
SCS60LUU	30	58	66	132	240	114	94	108	180	12	M12	10.7	25	LM60UU×2	4700	10000	9.29

Linear motion ball slide units series SBR...UU



Unit Designation	Dimensions (mm)												Slide bush			Weight (g)
	h	E	W	L	F	h ₁	θ	B	C	S	L ₁	T	Designation	Basic load rating		
														dynamic C _N	static C _{0N}	
SBR10UU	15	18	36	32	24	6	80°	25	20	M5	10	7	LM10UU-OP	350	500	63
SBR12UU	17	20	40	39	27.6	6	80°	28	26	M5	10	7	LM12UU-OP	372	549	65
SBR13UU	17	20	40	39	27.6	8.5	80°	28	26	M5	10	8	LM13UU-OP	510	784	100
SBR16UU	20	22.5	45	45	33	10	80°	32	30	M5	12	9	LM16UU-OP	774	1180	150
SBR20UU	23	24	48	50	39	10	60°	35	35	M6	12	11	LM20UU-OP	882	1370	200
SBR25UU	27	30	60	65	47	11.5	50°	40	40	M6	12	14	LM25UU-OP	980	1570	450
SBR30UU	33	35	70	70	56	14	50°	50	50	M8	18	15	LM30UU-OP	1570	2740	630
SBR35UU	37	40	80	80	63	16	50°	55	55	M8	18	18	LM35UU-OP	1670	3140	925
SBR40UU	42	45	90	90	72	19	50°	65	65	M10	20	20	LM40UU-OP	2160	4020	1330
SBR50UU	53	60	120	110	92	23	50°	94	80	M10	20	25	LM50UU-OP	3820	7940	3000

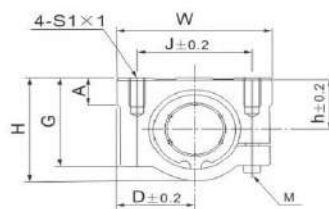
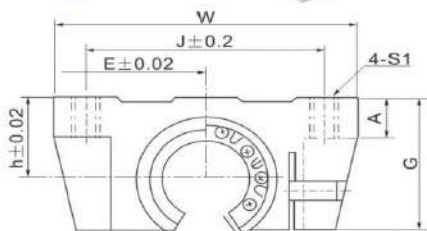
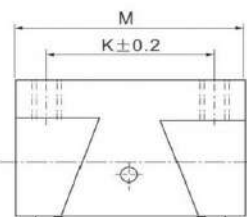
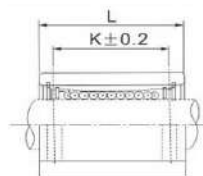
Linear motion ball slide units series
SBR...LUU



Unit Designation	Dimensions (mm)												Slide bush			Weight (g)
	h	E	W	L	F	h ₁	θ	B	C	S	L ₁	T	Designation	Basic load rating		
														dynamic C _N	static C _{0N}	
SBR16LUU	20	22.5	45	85	33	10	80°	32	60	M5	12	9	LM16UU-OP×2	1548	2360	300
SBR20LUU	23	24	48	96	39	10	60°	35	70	M6	12	11	LM20UU-OP×2	1764	2740	400
SBR25LUU	27	30	60	130	47	11.5	50°	40	100	M6	12	14	LM25UU-OP×2	1960	3140	900
SBR30LUU	33	35	70	140	56	14	50°	50	110	M8	18	15	LM30UU-OP×2	3140	5480	1260
SBR35LUU	37	40	80	155	63	16	50°	55	120	M8	18	18	LM35UU-OP×2	3340	6230	1850
SBR40LUU	42	45	90	175	72	19	50°	65	140	M10	20	20	LM40UU-OP×2	4320	8040	2660
SBR50LUU	53	60	120	215	92	23	50°	94	160	M10	160	20	LM50UU-OP×2	7640	15880	6000

Linear motion ball slide units series

TBR...UU TBR...LUU SCJ...UU

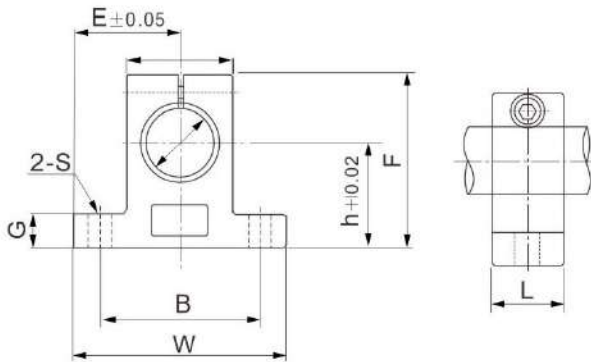


SCJ..UU

Support Designation	Shaft Dimensions	Basic load rating		Dimensions (mm)									Slide bush			
		dynamic CoN	static CoN	W	G	A	M	Si	J	K	E	h	Designation	Basic load rating dynamic CoN	static CoN	Weight (g)
TBR16UU	φ 16	392	490	62	26	8	42	M5	50	30	31	18	LM16UU-OP	392	490	180
TBR20UU	φ 20	784	1176	68	31	10	51	M6	54	37	34	21	LM20UU-OP	784	1176	300
TBR25UU	φ 25	1568	2352	82	41	12	65	M8	65	50	41	28	LM25UU-OP	15568	2352	600
TBR30UU	φ 30	1764	2940	91	48	12	75	M8	75	60	45.5	33.5	LM30UU-OP	1764	2940	900
TBR16LUU	φ 16	780	980	62	26	8	85	M5	50	60	31	18	LM16UU-OP×2	392	490	
TBR20LUU	φ 20	1568	2352	68	31	10	96	M6	54	70	34	21	LM20UU-OP×2	784	1176	
TBR25LUU	φ 25	3136	4704	82	41	12	130	M8	65	100	41	28	LM25UU-OP×2	1568	2352	
TBR30LUU	φ 30	3528	5880	91	48	12	140	M8	75	110	45.5	33.5	LM30UU-OP×2	1764	2940	

Bearings number	Inside	Load rating		Shaft														g
		C (N)	Co (N)		h	D	W	H	G	A	J	E	Si×1	K	L	M		
SCJ8UU	LM8UUAJ	431	784	φ10	11	17	34	22	18	6	24	5	M4×8	18	30	M4		
SCJ10UU	LM10UUAJ	370	540	φ10	13	20	40	26	21	8	28	6	M5×12	21	35	M4	90	
SCJ12UU	LM12UUAJ	410	590	φ12	15	21	42	28	24	7.4	30.5	5.75	M5×12	26	36	M4	112	
SCJ13UU	LM13UUAJ	500	770	φ13	15	22	44	30	24.5	8	33	5.5	M5×12	26	39	M4	123	
SCJ16UU	LM16UUAJ	770	1170	φ16	19	25	50	38.5	32.5	9	36	7	M5×12	34	44	M4	189	
SCJ20UU	LM20UUAJ	860	1370	φ20	21	27	54	41	35	11	40	7	M5×12	40	50	M5	237	
SCJ25UU	LM25UUAJ	980	1560	φ25	26	38	76	51.5	41	12	54	11	M8×18	50	67	M6	555	
SCJ30UU	LM30UUAJ	1560	2740	φ30	30	39	78	59.5	49	15	58	10	M8×18	58	72	M6	685	
SCJ35UU	LM35UUAJ	1660	3130	φ35	34	45	90	68	54	18	70	10	M8×18	60	80	M6	1100	
SCJ40UU	LM40UUAJ	2150	4010	φ40	40	51	102	78	62	20	80	11	M10×25	60	90	M8	1600	
SCJ50UU	LM50UUAJ	3820	7930	φ50	52	61	122	102	80	24	100	11	M10×25	80	110	M8	3350	

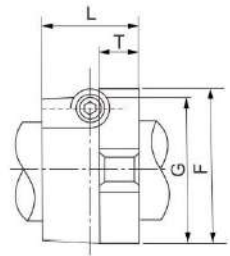
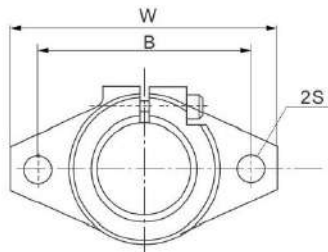
Linear motion ball slide units series SK



Support Designation	Shaft Dimensions	Dimensions (mm)									Locking Bolt	Clamping Bolt	Weight (g)
		h	E	W	L	F	G	P	B	S			
SK8	8	20	21	42	14	32.8	6	18	32	5.5	M4	M5	24
SK10	10	20	21	42	14	32.8	6	18	32	5.5	M4	M5	24
SK12	12	23	21	42	14	38	6	20	32	5.5	M4	M5	30
SK13	13	23	21	42	14	38	6	20	32	5.5	M4	M5	30
SK16	16	27	24	48	16	44	8	25	38	5.5	M4	M5	40
SK20	20	31	30	60	20	51	10	30	45	6.6	M5	M6	70
SK25	25	35	35	70	24	60	12	38	56	6.6	M6	M6	130
SK30	30	42	42	84	28	70	12	44	64	9	M6	M8	180
SK35	35	50	49	98	32	85	15	50	74	11	M8	M10	270
SK40	40	60	57	114	36	96	15	60	90	11	M8	M10	420
SK50	50	70	63	126	40	120	18	74	100	14	M12	M12	750
SK60	60	80	74	148	45	136	18	90	120	14	M12	M12	1100

Linear motion ball slide units series

SHF...

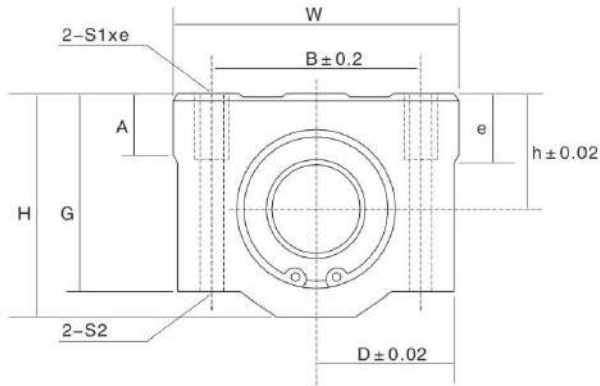


◆ SHF

Bearings number	Shaft diametre	Dimensions (mm)							Locking bolt	Clamping bolt	Weight (g)
		W	L	T	F	G	B	S			
SHF10	10	43	10	5	24	20	32	5.5	M4	M5	13
SHF12	12	47	13	7	28	25	36	5.5	M4	M5	20
SHF13	13	47	13	7	28	25	36	5.5	M4	M5	20
SHF16	16	50	16	10	31	28	40	5.5	M4	M5	27
SHF20	20	60	20	13	37	32	48	7	M5	M6	40
SHF25	25	70	25	17	42	39	56	7	M5	M6	60
SHF30	30	80	30	20	50	44	64	9	M6	M8	110
SHF35	35	92	35	24	58	50	72	12	M8	M10	380
SHF40	40	102	40	26	67	56	80	12	M10	M10	510
SHF50	50	122	50	33	83	70	96	14	M12	M12	890
SHF60	60	140	60	37	95	82	112	14	M12	M12	1500

Linear motion ball slide units series

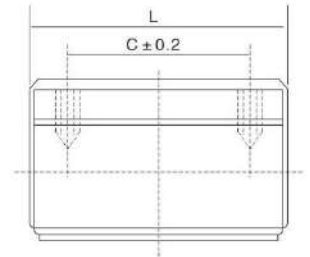
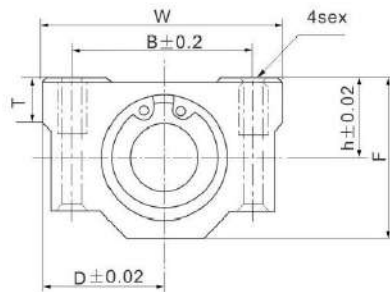
SC...VUU



Unit Designation	Dimensions (mm)												Basic load rating		Weight (g)
	h	D	W	H	G	A	B	E	S1 x e	S2	C	L	dynamic CN	static CoN	
SC8VUU	11	17	34	22	18	6	24	5	M4×8	3.4	7.7	15.4	274	392	27
SC10VUU	13	20	40	26	21	8	28	6	M5×12	4.3	9.75	19.5	372	549	53
SC12VUU	15	21	42	28	24	8	30.5	5.75	M5×12	4.3	10.25	20.5	510	784	60
SC13VUU	15	22	44	30	24.5	8	33	5.5	M5×12	4.3	10.25	20.5	510	784	64
SC16VUU	19	25	50	38.5	32.5	9	36	7	M5×12	4.3	11.75	23.5	774	1180	110
SC20VUU	21	27	54	41	35	11	40	7	M6×12	5.2	13.7	27.4	882	1370	144
SC25VUU	26	38	76	51.5	42	12	54	11	M8×18	7	18.7	37.4	980	1570	340
SC30VUU	30	39	78	59.5	49	15	58	10	M8×18	7	20.45	40.9	1574	2740	424
SC35VUU	34	45	90	68	54	18	70	10	M8×18	7	22.7	45.3	1670	3140	626
SC40VUU	40	51	102	78	62	20	80	11	M10×25	8.7	28.2	56.4	2160	4020	1000
SC50VUU	52	61	122	102	80	25	100	11	M10×25	8.7	34.45	68.9	3820	7940	2100

Linear motion ball slide units series

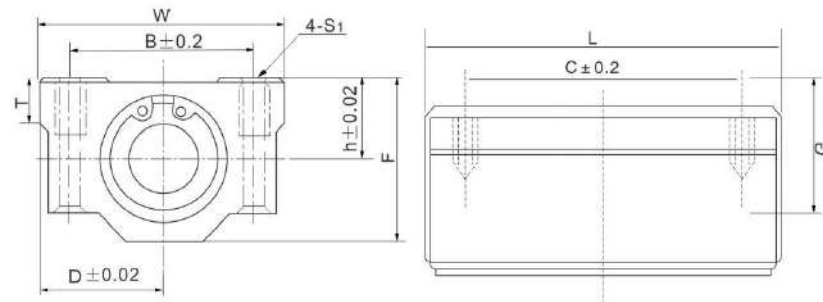
SCE...UU



Unit Designation	Dimensions (mm)									Designation	Basic load rating		Weight (g)
	h	D	W	L	F	T	B	C	Sex		dynamic CoN	static CoN	
SCE12UU	15	22	44	39	30	8	33	26	M5×12	LME12UU	510	784	113
SCE16UU	19	25	50	44	38.5	9	36	34	M5×12	LME16UU	774	1180	178
SCE20UU	21	27	54	53	41	11	40	40	M6×12	LME20UU	882	1370	248
SCE25UU	26	38	76	67	51.5	12	54	50	M8×18	LME25UU	980	1570	535
SCE30UU	30	39	78	76	59.5	15	58	58	M8×18	LME30UU	1570	2740	746
SCE35UU	34	45	90	80	68	15	70	60	M8×18	LME35UU	1670	3140	1100
SCE40UU	40	51	102	90	78	20	80	60	M10×25	LME40UU	2160	4020	1517
SCE50UU	52	61	122	110	102	25	100	80	M10×25	LME50UU	3820	7940	2858

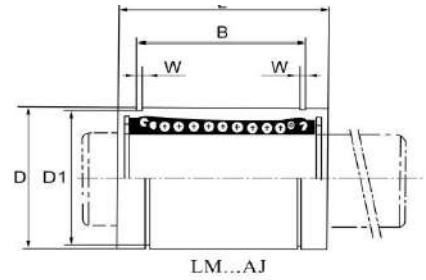
Linear motion ball slide units series

SCE...LUU



Unit Designation	Dimensions (mm)									Designation	Basic load rating		Weight (g)
	h	D	W	L	F	T	B	C	Sex		dynamic CoN	static CoN	
SCE12LUU	15	22	44	77	30	8	33	64	M5×12	LME12UU×2	510	784	226
SCE16LUU	19	25	50	89	38.5	9	36	79	M5×12	LME16UU×2	1230	2350	361
SCE20LUU	21	27	54	106	41	11	40	90	M6×12	LME20UU×2	1400	2740	502
SCE25LUU	26	38	76	136	51.5	12	54	119	M8×18	LME25UU×2	1560	3140	1092
SCE30LUU	30	39	78	154	59.5	15	58	132	M8×18	LME30UU×2	2490	5490	1515

Linear bearing series LM...UU



LM...UU



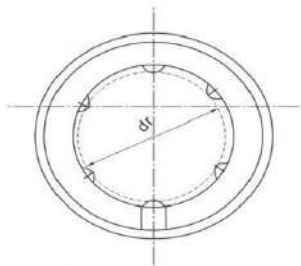
LM...UU-OP



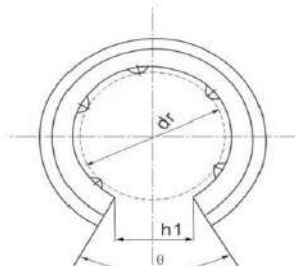
LM...UU-AJ

		(Type)		Adjustment	gf	Open	(main)			
LM...UU	No. of ball rows	(g)	dr				dr		D	
							mm	μm	mm	μm
			P	H	P	H	P	H		
LM 3UU	4	1.35	-	-	-	3		7		
LM 4UU	4	1.9	-	-	-	4	0 -0.005	8	0 -0.009	
LM 5UU	4	4	LM 5UUAJ	-	-	5		10		
LM 6UU	4	7.6	LM 6UUAJ	7.5	-	6		12		
LM 8SUU	4	10.4	LM 8SUUAJ	10	-	8		15	0 -0.011	
LM 8UU	4	15	LM 8UUAJ	14.7	-	8	0 -0.006	15		
LM 10UU	4	29.5	LM 10UUAJ	29	-	10		19		
LM 12UU	5	31.5	LM 12UUAJ	31	LM 12UUOP	12		21	0 -0.013	
LM 13UU	5	43	LM 13UUAJ	42	LM 13UUOP	13		23		
LM 16UU	5	69	LM 16UUAJ	68	LM 16UUOP	16		28		
LM 20UU	5	87	LM 20UUAJ	85	LM 20UUOP	20		32		
LM 25UU	6	220	LM 25UUAJ	216	LM 25UUOP	25	0 -0.007	40	0 -0.016	
LM 30UU	6	250	LM 30UUAJ	245	LM 30UUOP	30		45		
LM 35UU	6	390	LM 35UUAJ	384	LM 35UUOP	35		52		
LM 40UU	6	585	LM 40UUAJ	579	LM 40UUOP	40	0 -0.008	60	0 -0.019	
LM 50UU	6	1580	LM 50UUAJ	1560	LM 50UUOP	50		80		
LM 60UU	6	2000	LM 60UUAJ	1820	LM 60UUOP	60	0 -0.009	90	0 -0.022	
LM 80UU	6	4520	LM 80UUAJ	4300	LM 80UUOP	80	0 -0.010	120	0 -0.025	
LM 100UU	6	8600	LM 100UUAJ	8540	LM 100UUOP	100	0 -0.010	150	0 -0.025	

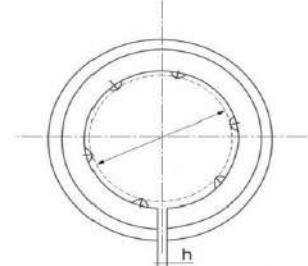
Linear bearing series LM...UU



LM...UU



LM...UU-OP

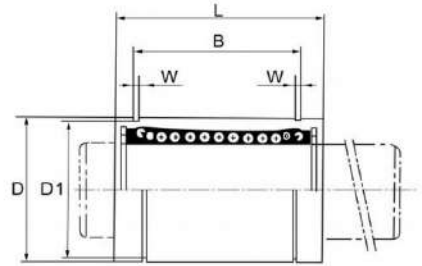


LM...UU-AJ

Dimensions(mm)										Radial (max) μm	Load rating		Type	
mm	Length		W	D_1	h	h_1	θ	Eccentricity (max) μm			C N	C_0 N		
	L	μm						B						
10		-	-	-	-	-	-	4	8	-2	88.2	108	LM 3UU	
12	$\begin{matrix} 0 \\ -0.12 \end{matrix}$	-	-	-	-	-	-	4	8	-3	88.2	127	LM 4UU	
15		10.2		1.1	9.6	-	6	4	8	-3	167	206	LM 5UU	
19		13.5		1.1	11.5	1	-	8	12	-5	206	265	LM 6UU	
17		11.5		1.1	14.3	1	-	62°	8	12	-5	175	225	LM 8SUU
24		17.5		1.1	14.3	1	-	-	8	12	-5	265	402	LM 8UU
29	$\begin{matrix} 0 \\ -0.2 \end{matrix}$	22	$\begin{matrix} 0 \\ -0.2 \end{matrix}$	1.3	18	1	-	-	8	12	-5	373	549	LM 10UU
30		23		1.3	20	1.5	8	80°	8	12	-5	412	598	LM 12UU
32		23		1.3	22	1.5	9	80°	8	12	-7	510	775	LM 13UU
37		26.5		1.6	27	1.5	11	80°	8	12	-7	775	1180	LM 16UU
42		30.5		1.6	30.5	1.5	11	60°	10	15	-9	863	1370	LM 20UU
59		41		1.85	38	2	12	50°	10	15	-9	980	1570	LM 25UU
64		44.5		1.85	43	2.5	15	50°	10	15	-9	1570	2750	LM 30UU
70		49.5		2.1	49	2.5	17	50°	12	20	-13	1670	3140	LM 35UU
80	$\begin{matrix} 0 \\ -0.3 \end{matrix}$	60.5	$\begin{matrix} 0 \\ -0.3 \end{matrix}$	2.1	57	3	20	50°	12	20	-13	2160	4020	LM 40UU
100		74		2.6	76.5	3	25	50°	12	20	-13	3820	7940	LM 50UU
110		85		3.15	86.5	3	30	50°	17	25	-16	4710	10000	LM 60UU
140		105.5		4.15	116	3	40	50°	17	25	-16	7350	16000	LM 80UU
175	$\begin{matrix} 0 \\ -0.4 \end{matrix}$	125.5	$\begin{matrix} 0 \\ -0.4 \end{matrix}$	4.15	145	3	50	50°	20	30	-20	14100	38400	LM 100UU

Linear bearing series

LME...UU



LME...UU



LME...UU-AJ

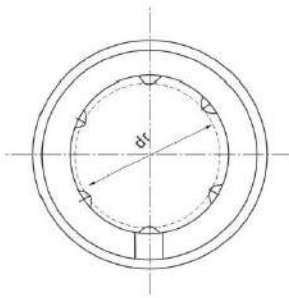


LME...UU-OP

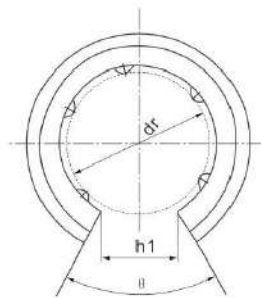
LM series									basic load rating		ID	
standard			open			adjust			C (N)	CO (N)	dr (mm)	(μm)
type	No. of ball rows	gf	type	No. of ball rows	gf	type	No. of ball rows	gf				
LME5UU	4	11	-	-	-	LME5UUAJ	4	10	206	265	5	
LME8UU	4	20	-	-	-	LME8UUAJ	4	19.5	265	402	8	+8 0
LME12UU	4	41	LME12UUOP	3	32	LME12UUAJ	4	40	510	784	12	
LME16UU	5	57	LME16UUOP	4	44	LME16UUAJ	5	56	578	892	16	+9 1
LME20UU	5	91	LME20UUOP	4	75	LME20UUAJ	5	90	862	1370	20	
LME25UU	6	215	LME25UUOP	5	181	LME25UUAJ	6	212	980	1570	25	+11 -1
LME30UU	6	325	LME30UUOP	5	272	LME30UUAJ	6	320	1570	2740	30	
LME40UU	6	705	LME40UUOP	5	600	LME40UUAJ	6	694	2160	4020	40	
LME50UU	6	1130	LME50UUOP	5	970	LME50UUAJ	6	1110	3820	7940	50	+13 -2
LME60UU	6	2000	LME60UUOP	5	1580	LME60UUAJ	6	1960	4700	9800	60	
LME80UU	6	4840	LME80UUOP	5	4300	LME80UUAJ	6	4800	10192	17640	80	+16 -4

1N=0.102kgf

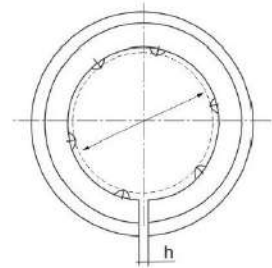
Linear bearing series LME...UU



LME...UU



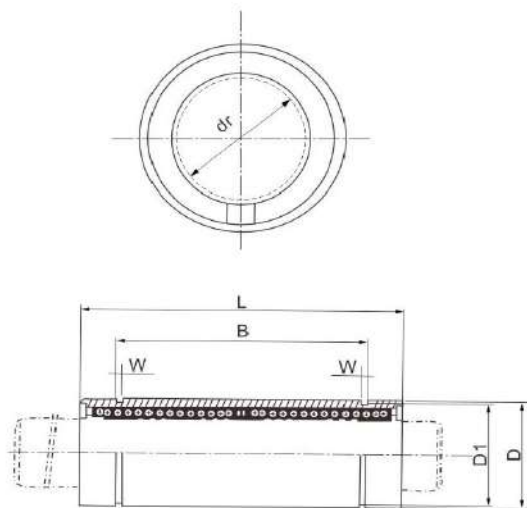
LME...UU-OP



LME...UU-AJ

Dimensions (mm)											Radial (max) (μm)	Type
(mm)	D (μm)	(mm)	L (μm)	(mm)	B (μm)	W	D_1	h	h_1	θ ($^\circ$)		
12	0	22		14.5		1.1	11.5	1	-	-	-5	LME5UU
16	-8	25		16.5		1.1	15.2	1	-	-	-5	LME8UU
22	0	32	0 -200	22.9	0 -300	1.3	21	1.5	-	78 $^\circ$	-7	LME12UU
26	-9	36		24.9		1.3	24.9	1.5	10	78 $^\circ$	-7	LME16UU
32		45		31.5		1.6	30.3	2	10	60 $^\circ$	-9	LME20UU
40	0 -11	58		44.1		1.85	37.5	2	12.5	60 $^\circ$	-9	LME25UU
47		68	0	52.1		1.85	44.5	2	12.5	50 $^\circ$	-9	LME30UU
62	0	80	-300	60.6	0 -400	2.15	59	3	16.8	50 $^\circ$	-13	LME40UU
75	-13	100		77.6		2.65	72	3	21	50 $^\circ$	-13	LME50UU
90	0 -15	125	0	101.7		3.15	86.5	3	27.2	50 $^\circ$	-16	LME60UU
120		165	-400	133.7		4.15	116	3	36.3	50 $^\circ$	-16	LME80UU

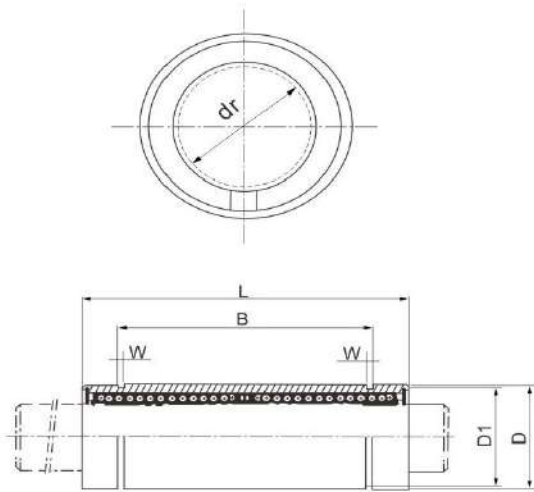
Linear bearing series LM...LUU



LM...LUU

Type			(main)			
LM...LUU	No. of ball rows	gf	dr mm	μm	mm	D μm
LM 3LUU	4	3	3		7	
LM 4LUU	4	4	4		8	
LM 5LUU	4	8	5		10	0 -0.013
LM 6LUU	4	16	6		12	
LM 8LUU	4	31	8	0 -0.010	15	
LM 10LUU	4	62	10		19	
LM 12LUU	4	80	12		21	0 -0.016
LM 13LUU	4	90	13		23	
LM 16LUU	5	145	16		28	
LM 20LUU	5	180	20		32	
LM 25LUU	6	440	25	0 -0.012	40	0 -0.019
LM 30LUU	6	580	30		45	
LM 35LUU	6	795	35		52	
LM 40LUU	6	1170	40	0 -0.015	60	0 -0.022
LM 50LUU	6	3100	50		80	
LM 60LUU	6	3500	60	0 -0.020	90	0 -0.025

Linear bearing series LM...LUU



LME...LUU

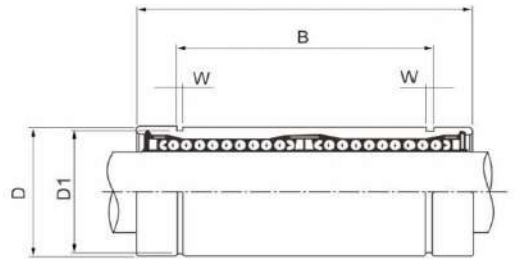
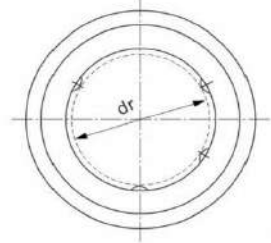


Dimensions(mm)				W	D ₁	Eccentricity (max) μm	Radial (max) μm	Basic Load rating	
L		B						C N	C ₀ N
mm	μm	mm	μm						
19		-		-	-	10	-2	139	216
23		-		-	-	10	-3	139	254
29		20		1.1	9.6	10	-3	263	412
35		27	0 -0.4	1.1	11.5	15	-5	324	529
45		35		1.1	14.3	15	-5	431	784
55	0 -0.3	44		1.3	18	15	-5	588	1100
57		46	0 -0.4	1.3	20	15	-5	657	1200
61		46		1.3	22	15	-7	814	1570
70		53		1.6	27	15	-7	1230	2350
80		61		1.6	30.5	20	-9	1400	2750
112		82		1.85	38	20	-9	1560	3140
123		89		1.85	43	20	-9	2490	5490
135		99		2.1	49	25	-13	2650	6270
154	0 -0.4	121	0 -0.4	2.1	57	25	-13	3430	8040
192		148		2.6	76.5	25	-13	6080	15900
211		170		3.15	86.5	25	-16	7650	20000

1N=0.102k_{rf}

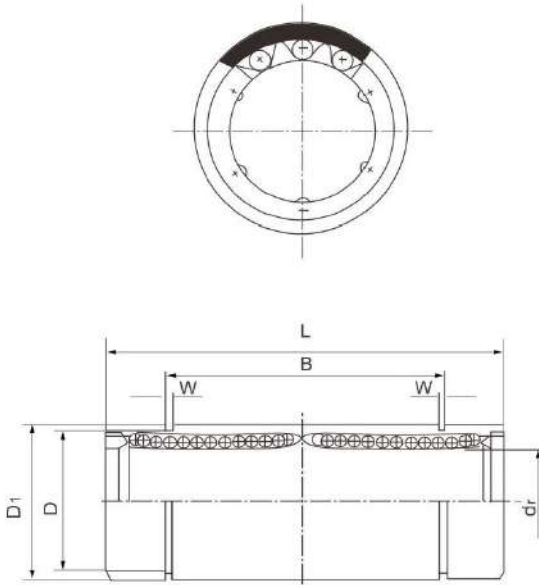
Linear bearing series

LME...LUU



LME		ID		(mm) Dimensions(mm)							Weight (g)	Basic Load rating	
Type	No. of ball rows	dr (mm) (μm)	dr (mm) (μm)	D (mm) (μm)	L (mm) (μm)	B (mm) (μm)	W	D1	C (N)	Co (N)			
LME 8LUU	4	8	16	$\begin{smallmatrix} 0 \\ -9 \end{smallmatrix}$	46	33	1.1	15.2	40	421	804		
LME 12LUU	4	12	$\begin{smallmatrix} +9 \\ -1 \end{smallmatrix}$	22	$\begin{smallmatrix} 0 \\ -11 \end{smallmatrix}$	61	45.8	1.3	21	80	813	1570	
LME 16LUU	5	16	26	$\begin{smallmatrix} 0 \\ -11 \end{smallmatrix}$	68	$\begin{smallmatrix} 0 \\ -0.3 \end{smallmatrix}$	49.8	$\begin{smallmatrix} 0 \\ -0.4 \end{smallmatrix}$	1.3	24.9	115	921	1780
LME 20LUU	5	20	$\begin{smallmatrix} +11 \\ -1 \end{smallmatrix}$	32	80	61	1.6	30.3	180	1370	2740		
LME 25LUU	6	25	40	$\begin{smallmatrix} 0 \\ -13 \end{smallmatrix}$	112	82	1.85	38	430	1570	3140		
LME 30LUU	6	30	$\begin{smallmatrix} +13 \\ -2 \end{smallmatrix}$	47	123	104.2	1.85	44.5	615	2490	5490		
LME 40LUU	6	40	62	$\begin{smallmatrix} 0 \\ -15 \end{smallmatrix}$	151	$\begin{smallmatrix} 0 \\ -0.4 \end{smallmatrix}$	121.2	$\begin{smallmatrix} 0 \\ -0.5 \end{smallmatrix}$	2.15	59	1400	3430	8040
LME 50LUU	6	50	$\begin{smallmatrix} +16 \\ -4 \end{smallmatrix}$	75	192	155.2	2.65	72	2300	6080	15900		
LME 60LUU	6	60	90	$\begin{smallmatrix} 0 \\ -25 \end{smallmatrix}$	209	170	3.15	86.5	3900	7550	20000		

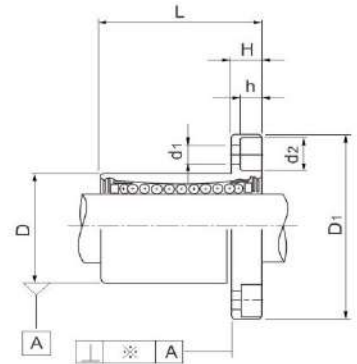
Linear bearing series



Type	No. of ball rows	MAIN DIMENSIONS									Radial Runout (max)	Basic Load rating		
		ID		OUTER DIAMETER		LENGTH		OUTER LOCKING GROOVE		W		DYNAMI Co (kgf)	STATIC Co (kgf)	
		dr	TOLERANCE	D	TOLERANCE	L	TOLERANCE	B	TOLERANCE					D1
SW04L	3	1/4" 6.35		0.5" 12.7	0 -0.013	1.375" 34.925		1.022" 25.959		0.4687" 11.906	0.039" 0.992		33	54
SW06L	4	3/8" 9.525		0.625" 18.875		1.5938" 40.481		1.2716" 32.298		0.588" 14.935	0.039" 0.992		36	64
SW08L	4	1/2" 12.7	0 -0.010	0.875" 22.225	0 -0.016	2.375" 60.325	0 -0.30	1.925" 48.895		0.8209" 20.853	0.0459" 1.168	0.015	83	160
SW10L	4	5/8" 15.875		1.125" 28.575		2.8125" 71.438		2.2079" 56.08		1.0590" 26.899	0.0559" 1.422		126	240
SW12L	5	3/4" 19.05	0 -0.012	1.25" 31.75	0 -0.019	3.0937" 78.581		2.3314" 59.218		1.176" 29.87	0.0559" 1.422	0.020	140	280
SW16L	5	1" 25.4		1.5625" 39.688		4.2831" 108.774		3.5094" 89.139		1.4687" 37.306	0.0679" 1.727		160	320
SW20L	6	1-1/4" 31.75	0 -0.015	2" 50.8	0 -0.022	5" 127	0 -0.40	4.0094" 101.839		1.8859" 47.904	0.0679" 1.727	0.025	255	560
SW24L	6	1-1/2" 38.1		2.375" 60.325		5.6875" 144.463		4.8236" 122.519		2.2389" 56.87	0.0859" 2.184		350	820
SW32L	6	2" 50.8		3" 76.2	0 -0.025	7.75" 196.85		6.3834" 162.138		2.8379" 72.085	0.1029" 2.616	0.030	620	1622

1N=0.102kgf

Flange linear bearing series
LMF...UU LMK...UU
LMH...UU



LMF...UU



LMK...UU



LMH...UU

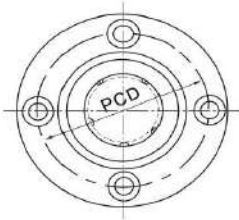
Round	Squareness	Oval	No. of ball rows	(gf)	Radial (max) (μm)	Basic Load Rating		ID	
						C (N)	C ₀ (N)	Dr (mm)	(μm)
LMF 6UU	LMK 6UU	LMH6UU	4	26.5	-5	200	260	6	
LMF 8UU	LMK 8UU	-	4	34	-5	170	220	8	
LMF 8UU	LMK 8UU	LMH8UU	4	40	-5	260	400	8	
LMF 10UU	LMK 10UU	LMH10UU	4	78	-5	370	540	10	⁰ / ₋₉
LMF 12UU	LMK 12UU	LMH12UU	4	76	-5	410	590	12	
LMF 13UU	LMK 13UU	LMH13UU	4	94	-7	500	770	13	
LMF 16UU	LMK 16UU	LMH16UU	5	134	-7	770	1170	16	
LMF 20UU	LMK 20UU	LMH20UU	5	180	-9	860	1370	20	
LMF 25UU	LMK 25UU	LMH25UU	6	340	-9	980	1560	25	⁰ / ₋₁₀
LMF 30UU	LMK 30UU	LMH30UU	6	460	-9	1560	2740	30	
LMF 35UU	LMK 35UU	-	6	795	-13	1660	3130	35	
LMF 40UU	LMK 40UU	-	6	1054	-13	2150	4010	40	⁰ / ₋₁₂
LMF 50UU	LMK 50UU	-	6	2200	-13	3820	7930	50	
LMF 60UU	LMK 60UU	-	6	2960	-16	4700	9990	60	⁰ / ₋₁₅
LMF 80UU	LMK 80UU	-	6	5800	-20	7350	16000	80	
LMF 100UU	LMK 100UU	-	6	10600	-30	14100	34800	100	⁰ / ₋₂₀

1N=0.102kgf

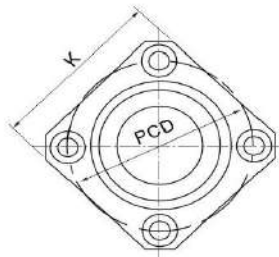
Flange linear bearing series

LMF...UU LMK...UU

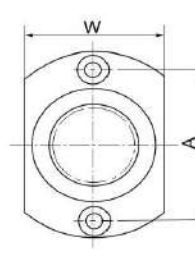
LMH...UU



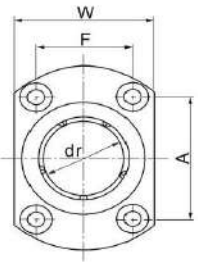
LMF...UU



LMK...UU



LMH...UU



Dimensions (mm)														Type	
(mm)	D		L		D _i		H	PCD	K	W	A	F	Verticality (μm)		d ₁ ×d ₂ ×h
	(μm)	(mm)	(μm)	(mm)	(μm)	(mm)									
12		19		28		5	20	22	18	20	-	12	3.4×6.5×3.3	LMF/K/H6UU	
15	⁰ -11	17		32		5	24	25	-	-	-	12	3.4×6.5×3.3	LMF/K/H8SUU	
15		24		32		5	24	25	21	24	-	12	3.4×6.5×3.3	LMF/K/H8UU	
19		29		40		6	29	30	25	29	-	12	4.5×8×4.4	LMF/K/H10UU	
21	⁰ -13	30	⁰ -0.2	42	⁰ -0.2	6	32	32	27	32	-	12	4.5×8×4.4	LMF/K/H12UU	
23		32		43		6	33	34	29	33	-	12	4.5×8×4.4	LMF/K/H13UU	
28		37		48		6	38	37	34	31	22	12	4.5×8×4.4	LMF/K/H16UU	
32		42		54		8	43	42	38	36	24	15	5.5×9.5×5.4	LMF/K/H20UU	
40	⁰ -16	59		62		8	51	50	46	40	32	15	5.5×9.5×5.4	LMF/K/H25UU	
45		64		74		10	60	58	51	49	35	15	6.6×11×6.5	LMF/K/H30UU	
52		70	⁰ -0.3	82		10	67	64	60	55	38	20	6.6×11×6.5	LMF/K/H35UU	
60	⁰ -19	80		96		13	78	75	70	64	45	20	9×14×8.6	LMF/K/H40UU	
80		100		116	⁰ -0.3	13	98	92	-	-	-	20	9×14×8.6	LMF/K/H50UU	
90	⁰ -22	110		134		18	112	106	-	-	-	25	11×17.5×10.8	LMF/K/H60UU	
120	⁰ -25	140	⁰ -300	164		18	142	136	-	-	-	30	11×17×11.1	LMF/K/H80UU	
150	⁰ -29	175		200	⁰ -0.5	20	175	170	-	-	-	40	14×20×13.1	LMF/K/H100UU	

Flange linear bearing series

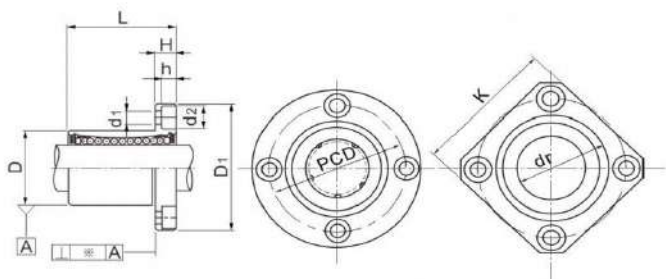
LMEF...UU LMEK...UU



LMEF...UU



LMEK...UU



LME...UU

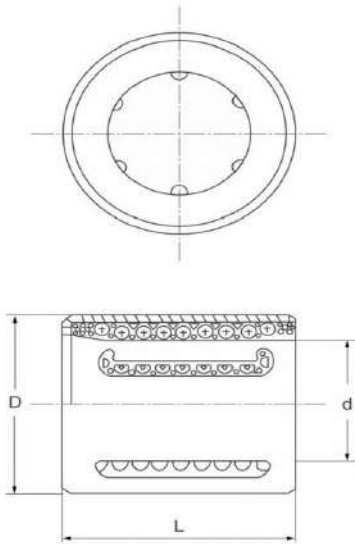
LMK...UU

Type		No. of ball rows	Weight (gf)	Radial (max) (μm)	Basic Load rating		ID (μm)	
Round flange	Quadrate flange				C (N)	C_0 (N)		D_r (mm)
LMEF8UU	LMEK8UU	4	41	-3	260	400	8	+8 0
LMEF12UU	LMEK12UU	4	80	-4	500	770	12	
LMEF16UU	LMEK16UU	5	103	-4	570	890	16	+9 -1
LMEF20UU	LMEK20UU	5	184	-6	860	1370	20	
LMEF25UU	LMEK25UU	6	335	-6	980	1560	25	+11 -1
LMEF30UU	LMEK30UU	6	560	-8	1560	2740	30	
LMEF40UU	LMEK40UU	6	1175	-8	2150	4010	40	+13 -2
LMEF50UU	LMEK50UU	6	1745	-13	3820	7930	50	
LMEF60UU	LMEK60UU	6	3220	-13	4700	9990	60	

1N=0.102kgf

Dimensions (mm)										Type	
(mm)	D (μm)	(mm)	L (μm)	D ₁ (mm)	(μm)	H	PCD	K	Verticality (μm)		$d_1 \times d_2 \times h$
16	$\begin{smallmatrix} 0 \\ -11 \end{smallmatrix}$	25		32		5	24	25	12	3.4×6.5×3.3	LMEF/K8LUU
22	$\begin{smallmatrix} 0 \\ -13 \end{smallmatrix}$	32	$\begin{smallmatrix} 0 \\ -0.2 \end{smallmatrix}$	42		6	32	32	12	4.5×8×4.4	LMEF/K12LUU
26		36		46		6	36	35	12	4.5×8×4.4	LMEF/K16LUU
32		45		54	$\begin{smallmatrix} 0 \\ -0.2 \end{smallmatrix}$	8	43	42	15	5.5×9.5×5.4	LMEF/K20LUU
40	$\begin{smallmatrix} 0 \\ -16 \end{smallmatrix}$	58		62		8	51	50	15	5.5×9.5×5.4	LMEF/K25LUU
47		68	$\begin{smallmatrix} 0 \\ -0.3 \end{smallmatrix}$	76		10	62	60	15	6.6×11×6.5	LMEF/K30LUU
62	$\begin{smallmatrix} 0 \\ -19 \end{smallmatrix}$	80		98		13	80	75	20	9×14×8.6	LMEF/K40LUU
75		100		112	$\begin{smallmatrix} 0 \\ -0.3 \end{smallmatrix}$	13	94	88	20	9×14×8.6	LMEF/K50LUU
90	$\begin{smallmatrix} 0 \\ -22 \end{smallmatrix}$	125	$\begin{smallmatrix} 0 \\ -0.4 \end{smallmatrix}$	134		18	112	106	25	11×17.5×10.8	LMEF/K60LUU

Linear bearing series
KH...PP

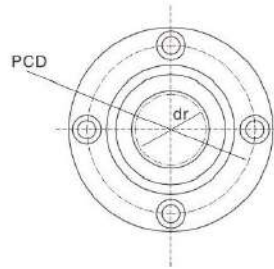
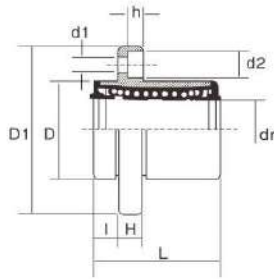


Bearings number	Number of ball rows	weight (gf)	Main dimensions			Basic load rating	
			d	D	L	C (N)	C ₀ (N)
KH0622PP	4	7	6	12	22	400	239
KH0824PP	4	11.3	8	15	24	435	280
KH1026PP	4	14.4	10	17	26	500	370
KH1228PP	5	18.1	12	19	28	620	510
KH1428PP	5	20.6	14	21	28	620	520
KH1630PP	5	27.2	16	24	30	800	620
KH2030PP	6	32.7	20	28	30	950	790
KH2540PP	6	66	25	35	40	1990	1670
KH3050PP	7	95	30	40	50	2800	2700
KH4060PP	8	182	40	52	60	4400	4450
KH5070PP	9	252	50	62	70	5500	6300

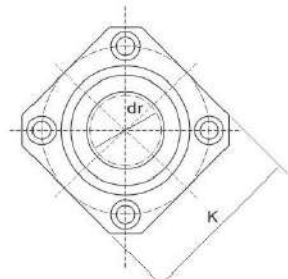
Flange linear bearing series

LMFP...UU

LMKP...UU



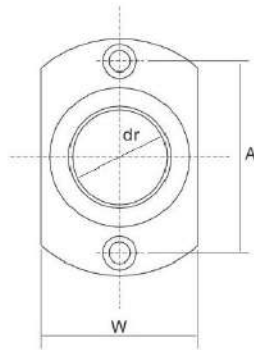
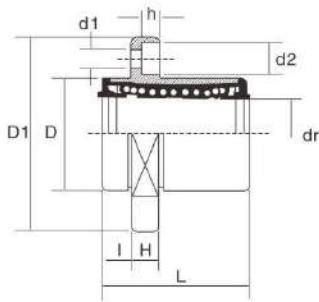
LMFP



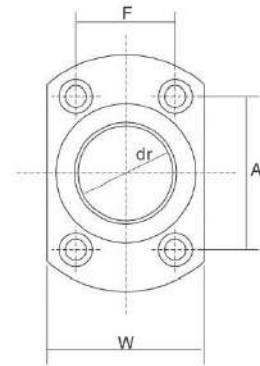
LMKP

Seal Type	Ball Circuit	Dr (mm)	Tolerance (μm)	Dimensions (mm)									Eccentricity	Basic Load Rating		Weight (g)
				D (mm)	Tolerance (μm)	L ±0.3 (mm)	I (mm)	D1 (mm)	K (mm)	H (mm)	PCD (mm)	D1xd2xh		C N	Co N	
LMFP6UU	4	6		12	0	19	5	28	22	5	20	3.5×6×3.1	12	206	265	24
LMFP8UU	4	8		15	-13	24	5	32	25	5	24	3.5×6×3.1		274	392	37
LMFP10UU	4	10	0-9	19		29	6	40	30	6	29	4.5×7.5×4.1	15	372	549	72
LMFP12UU	4	12		21	0	30	6	42	32	6	32	4.5×7.5×4.1		510	784	76
LMFP13UU	4	13		23	-16	32	6	43	34	6	33	4.5×7.5×4.1		510	784	88
LMFP16UU	5	16		28		37	6	48	37	6	38	4.5×7.5×4.1	20	774	1180	120
LMFP20UU	5	20		32		42	8	54	42	8	43	5.5×9×5.1		882	1370	180
LMFP25UU	6	25	0-10	40	0-19	59	8	62	50	8	51	5.5×9×5.1	25	980	1570	340
LMFP30UU	6	30		45		64	10	74	58	10	60	6.6×11×6.1		1570	2740	470
LMFP35UU	6	35		52		70	10	82	64	10	67	6.6×11×6.1		1670	3140	650
LMFP40UU	6	40	0-12	60	0-22	80	13	96	75	13	78	9×14×8.1	30	2160	4020	1060
LMFP50UU	6	50		80		100	13	116	92	18	98	9×14×8.1		3820	7940	2200
LMFP60UU	6	60	0-15	90	0-25	110	18	134	106	18	112	11×17×11.1	25	4700	10000	3000

Linear bearing series LMHP...UU



LMHP6 LMHP13



LMHP16 LMHP30

Dimensions (mm)													Basic Load Rating		Weight (g)		
Seal Type	Ball Circuit	Dr (mm)	Tolerance (µm)	D (mm)	Tolerance (µm)	L ±0.3 (mm)	I (mm)	D1 (mm)	W (mm)	H (mm)	A (mm)	F (mm)	D1xd2xh	Eccentricity		C N	Co N
LMHP6UU	4	6		12	0	19	5	28	18	5	20	-	3.5×6×3.1		206	265	21
LMHP8UU	4	8		15	-13	24	5	32	21	5	24	-	3.5×6×3.1		274	392	33
LMHP10UU	4	10		19		29	6	40	25	6	29	-	4.5×7.5×4.1	12	372	549	64
LMHP12UU	4	12	0-9	21	0-16	30	6	42	27	6	32	-	4.5×7.5×4.1		510	784	68
LMHP13UU	4	13		23		32	6	43	29	6	33	-	4.5×7.5×4.1		510	784	81
LMHP16UU	5	16		28		37	6	48	34	6	31	22	4.5×7.5×4.1		774	1180	112
LMHP20UU	5	20		32		42	8	54	38	8	36	24	5.5×9×5.1		882	1370	167
LMHP25UU	6	25	0-10	40	0-19	59	8	62	46	8	40	32	5.5×9×5.1	15	980	1570	325
LMHP30UU	6	30		45		64	10	74	51	10	49	35	6.6×11×6.1		1570	2740	388